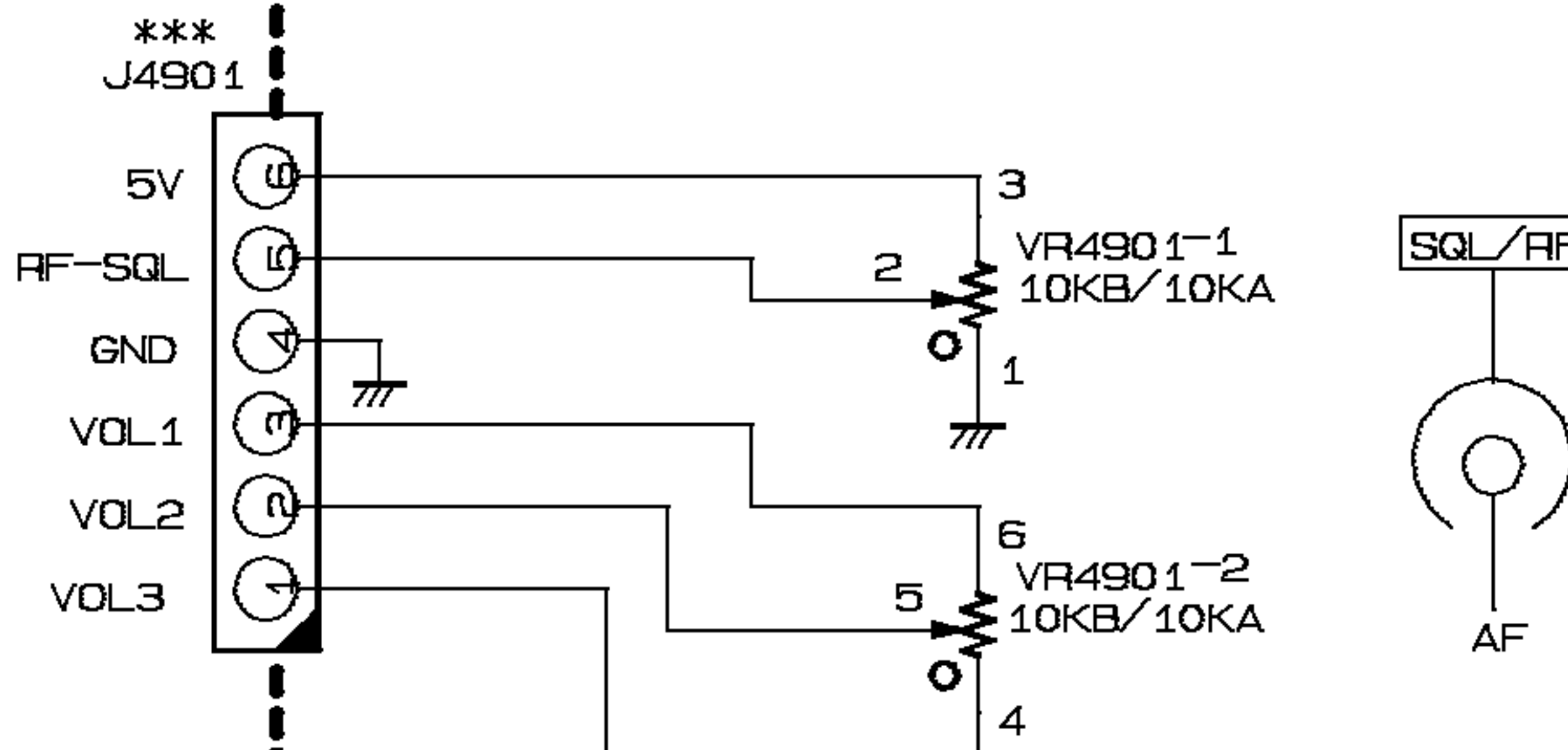


VR-UNIT (BR006120B)



NOTE:
RESISTOR VALUES ARE IN Ω .
UNLESS OTHERWISE NOTED.

CIRCUIT DIAGRAM

MODEL

DES. B-A13770000/VR-UNIT

REF. BP008380B.cir/001.sht

EDITION 0000

DATE 01 FEB., 2000

UPDATE 01 FEB., 2000

YAESU MUSEN CO., LTD

yaesu1

2000.08.09

12:53