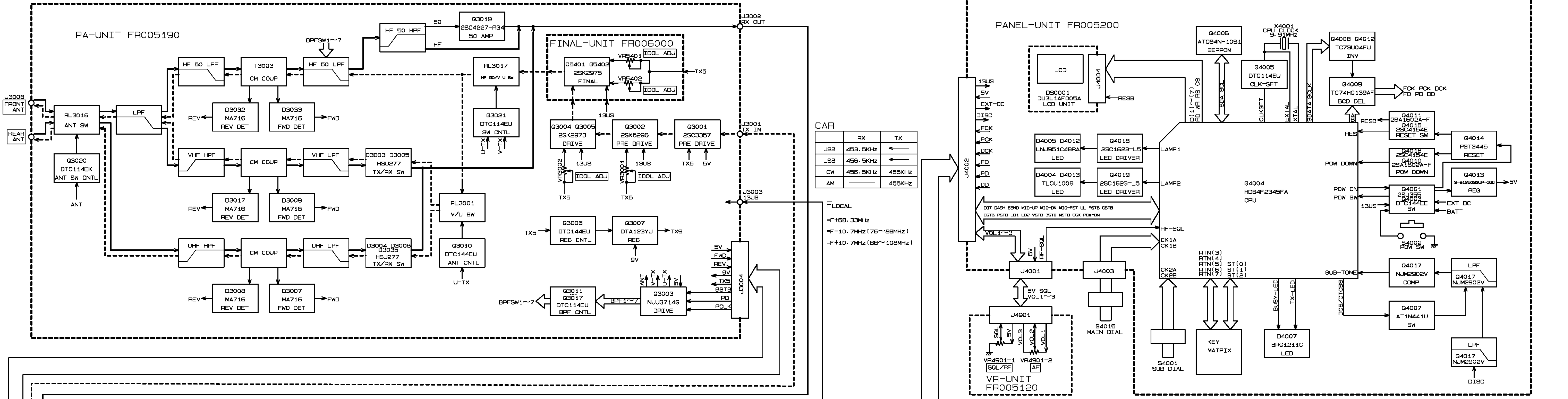


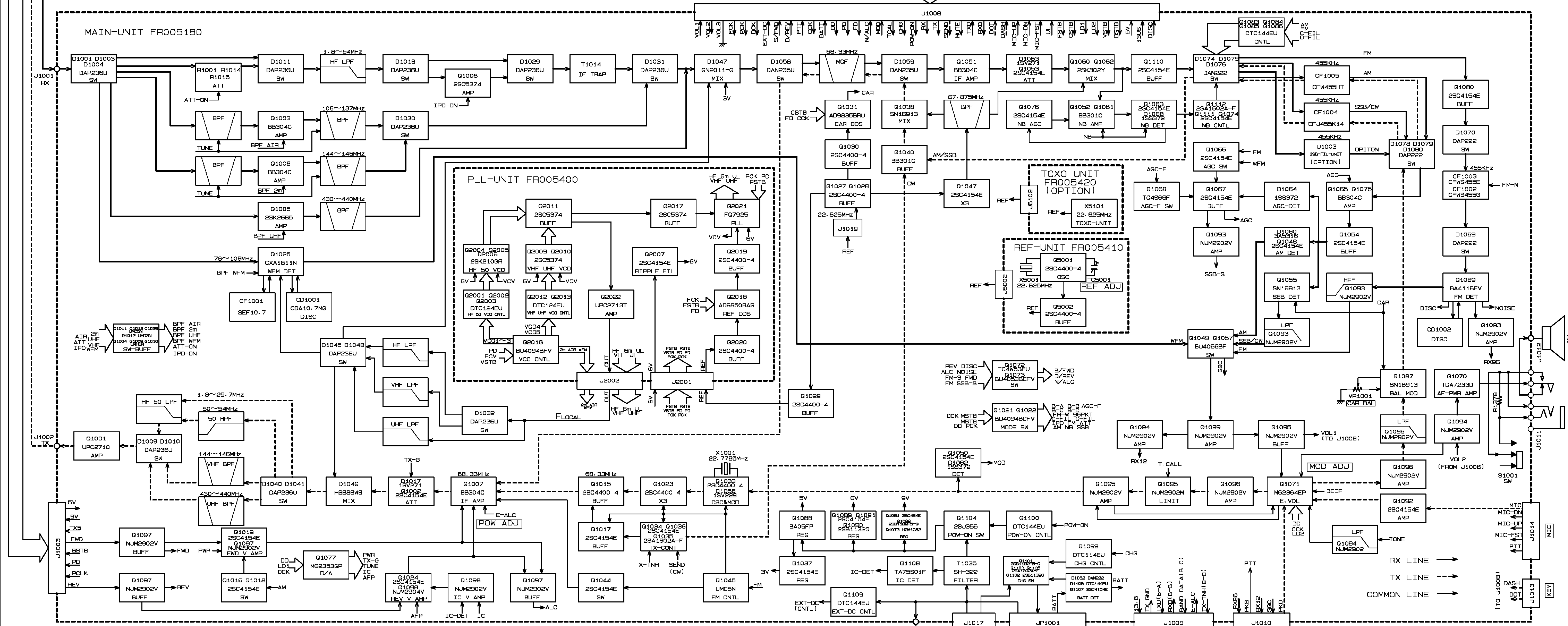
BLOCK-DIAGRAM



CAR

	RX	TX
USB	453.5KHz	
LSB	456.5KHz	
CW	456.5KHz	455KHz
AM		455KHz

FLOCAL
 HF=6B, 33MHz
 HF=10, 7MHz (76~88MHz)
 HF=10, 7MHz (88~108MHz)



CIRCUIT DIAGRAM MODEL FT-817
 DES. B-A13770000/BLOCK-DIAGRAM
 REF. BP0070400FCC.cir/001.snt EDITION 0000
 DATE 17 JUL. 2000 UPDATE 15 aug. 2000
 YAesu MUSEN CO., LTD
 yaesu1 2000.08.16 09:39