

ADSP-BF533 EZ-KIT Lite® Evaluation System Manual

Revision 3.0, June 2006

Part Number
82-000730-01

Analog Devices, Inc.
One Technology Way
Norwood, Mass. 02062-9106



Copyright Information

©2006 Analog Devices, Inc., ALL RIGHTS RESERVED. This document may not be reproduced in any form without prior, express written consent from Analog Devices, Inc.

Printed in the USA.

Limited Warranty

The EZ-KIT Lite evaluation system is warranted against defects in materials and workmanship for a period of one year from the date of purchase from Analog Devices or from an authorized dealer.

Disclaimer

Analog Devices, Inc. reserves the right to change this product without prior notice. Information furnished by Analog Devices is believed to be accurate and reliable. However, no responsibility is assumed by Analog Devices for its use; nor for any infringement of patents or other rights of third parties which may result from its use. No license is granted by implication or otherwise under the patent rights of Analog Devices, Inc.

Trademark and Service Mark Notice

The Analog Devices logo, VisualDSP++, VisualDSP++ logo, Blackfin, Blackfin logo, CROSSCORE logo, EZ-KIT Lite, and EZ-Extender are registered trademarks of Analog Devices, Inc.

All other brand and product names are trademarks or service marks of their respective owners.

Regulatory Compliance

The ADSP-BF533 EZ-KIT Lite evaluation system has been certified to comply with the essential requirements of the European EMC directive 89/336/EEC (inclusive 93/68/EEC) and, therefore, carries the “CE” mark.

The ADSP-BF533 EZ-KIT Lite evaluation system had been appended to Analog Devices Development Tools Technical Construction File referenced “DSPTOOLS1” dated December 21, 1997 and was awarded CE Certification by an appointed European Competent Body and is on file.



The EZ-KIT Lite evaluation system contains ESD (electrostatic discharge) sensitive devices. Electrostatic charges readily accumulate on the human body and equipment and can discharge without detection. Permanent damage may occur on devices subjected to high-energy discharges. Proper ESD precautions are recommended to avoid performance degradation or loss of functionality. Store unused EZ-KIT Lite boards in the protective shipping package.



CONTENTS

PREFACE

Purpose of This Manual	xii
Intended Audience	xii
Manual Contents	xiii
What's New in This Manual	xiv
Technical or Customer Support	xiv
Supported Processors	xv
Product Information	xv
MyAnalog.com	xv
Processor Product Information	xvi
Related Documents	xvi
Online Technical Documentation	xvii
Accessing Documentation From VisualDSP++	xviii
Accessing Documentation From Windows	xviii
Accessing Documentation From Web	xix
Printed Manuals	xix
VisualDSP++ Documentation Set	xix
Hardware Tools Manuals	xix
Processor Manuals	xx

CONTENTS

Data Sheets	xx
Notation Conventions	xxi

USING ADSP-BF533 EZ-KIT LITE

Package Contents	1-2
Default Configuration	1-3
Installation and Session Startup	1-5
Evaluation License Restrictions	1-7
Memory Map	1-7
SDRAM Interface	1-9
Flash Memory	1-10
Flash Memory Map	1-10
Flash General-Purpose IO	1-12
Configuring Flash Memory	1-14
LEDs and Push Buttons	1-15
Audio Interface	1-15
Video Interface	1-16
Example Programs	1-17
Background Telemetry Channel	1-17

ADSP-BF533 EZ-KIT LITE HARDWARE REFERENCE

System Architecture	2-2
External Bus Interface Unit	2-3
SPORT Audio Interface	2-3
SPI Interface	2-4

Programmable Flags	2-4
PPI Interface	2-5
Video Output Mode	2-7
Video Input Mode	2-7
UART Port	2-8
Expansion Interface	2-8
JTAG Emulation Port	2-9
Jumper and Switch Settings	2-10
UART Loop Jumper (JP4)	2-10
Boot Mode Switch (SW11)	2-11
Test DIP Switches (SW1 and SW2)	2-11
Video Configuration Switch (SW3)	2-11
Push Button Enable Switch (SW9)	2-12
SPIS1/SPISS Select Switch (SW10)	2-13
SPORT0 Switch (SW12)	2-13
LEDs and Push Buttons	2-13
Programmable Flag Push Buttons (SW4–7)	2-13
Reset Push Button (SW8)	2-14
Power LED (LED1)	2-15
Reset LED (LED2)	2-15
User LEDs (LED4–9)	2-15
USB Monitor LED (ZLED3)	2-16
Connectors	2-17
Expansion Interface (J1–3)	2-17

CONTENTS

Audio (J4 and J5)	2-18
Video (J8)	2-18
Power (J9)	2-18
FlashLINK (P1)	2-19
RS-232 (P2)	2-20
SPORT1 (P3)	2-20
JTAG (ZP4)	2-21
SPI (P6)	2-21

ADSP-BF533 EZ-KIT LITE BILL OF MATERIALS

ADSP-BF533 EZ-KIT LITE SCHEMATIC

Title Page	B-1
ADSP-BF533 Processor	B-2
Memory	B-3
Audio Codec	B-4
Audio Out	B-5
Audio In	B-6
Video Out	B-7
Video In	B-8
IO/Reset/UART	B-9
Connectors	B-10
Power	B-11
Bypass Caps	B-12

INDEX

PREFACE

Thank you for purchasing the ADSP-BF533 EZ-KIT Lite[®], Analog Devices, Inc. evaluation system for Blackfin[®] processors.

Blackfin processors support a media instruction set computing (MISC) architecture. This architecture is the natural merging of RISC, media functions, and digital signal processing (DSP) characteristics. Blackfin processors deliver signal-processing performance in a microprocessor-like environment.


The evaluation board is designed to be used in conjunction with the VisualDSP++[®] development environment to test the capabilities of the ADSP-BF533 Blackfin processors. The VisualDSP++ development environment gives you the ability to perform advanced application code development and debug, such as:

- Create, compile, assemble, and link application programs written in C++, C and ADSP-BF533 assembly
- Load, run, step, halt, and set breakpoints in application program
- Read and write data and program memory
- Read and write core and peripheral registers
- Plot memory

Access to the ADSP-BF533 processor from a personal computer (PC) is achieved through a USB port or an optional JTAG emulator. The USB interface gives unrestricted access to the ADSP-BF533 processor and the evaluation board peripherals. Analog Devices JTAG emulators offer faster

communication between the host PC and target hardware. Analog Devices carries a wide range of in-circuit emulation products. To learn more about Analog Devices emulators and processor development tools, go to <http://www.analog.com/dsp/tools/>.

ADSP-BF533 EZ-KIT Lite provides example programs to demonstrate the capabilities of the evaluation board.

 The ADSP-BF533 EZ-KIT Lite installation is part of the VisualDSP++ installation. The EZ-KIT Lite is a licensed product that offers an unrestricted evaluation license for the first 90 days. For details about evaluation license restrictions after the 90 days, refer to “[Evaluation License Restrictions](#)” on page 1-7 and the *VisualDSP++ Installation Quick Reference Card*.

The board features:

- Analog Devices ADSP-BF533 processor
 - ✓ Performance up to 600 MHz
 - ✓ 160-pin mini-BGA package
 - ✓ 27 MHz CLKIN oscillator
- Synchronous dynamic random access memory (SDRAM)
 - ✓ MT48LC32M16 - 64 MB (32M x 16 bits)
- Flash memories
 - ✓ 2 MB (512K x 16 x 2chips)
- Analog audio interface
 - ✓ AD1836 – Analog Devices 96 kHz audio codec
 - ✓ 4 input RCA phono jacks (2 channels)
 - ✓ 6 output RCA phono jacks (3 channels)

- Analog video interface
 - ✓ ADV7183 video decoder w/ 3 input RCA phono jacks
 - ✓ ADV7171 video encoder w/ 3 output RCA phono jacks
- Universal asynchronous receiver/transmitter (UART)
 - ✓ ADM3202 RS-232 line driver/receiver
 - ✓ DB9 male connector
- LEDs
 - ✓ 10 LEDs: 1 power (green), 1 board reset (red), 1 USB (red), 6 general purpose (amber), and 1 USB monitor (amber)
- Push buttons
 - ✓ 5 push buttons with debounce logic: 1 reset, 4 programmable flags
- Expansion interface
 - ✓ PPI, SPI, EBIU, Timers2-0, UART, programmable flags, SPORT0, SPORT1
- Other features
 - ✓ JTAG ICE 14-pin header

The EZ-KIT Lite board has two flash memories with a total of 2 MB of memory. The flash memories can be used to store user-specific boot code, allowing the board to run as a stand-alone unit. For more information, see [“Flash Memory” on page 1-10](#). The board also has 64 MB of SDRAM, which can be used by the user at runtime.

SPORTs interface with the AD1836 audio codec to aid development of audio signal processing applications. SPORT0 also attaches to an off-board connector for communication with other serial devices. For information about SPORT0, see [“SPORT Audio Interface” on page 2-3](#).

Purpose of This Manual

The parallel peripheral interface (PPI) of the processor connects to both a video encoder and video decoder, facilitating development of video signal processing applications.

The UART of the processor connects to an RS-232 line driver and a DB9 male connector, providing an interface to a PC or other serial device.

Additionally, the EZ-KIT Lite board provides access to most of the processor's peripheral ports. Access is provided in the form of a three-connector expansion interface. For information about the expansion interface, see [“Expansion Interface” on page 2-8](#).

Purpose of This Manual

The *ADSP-BF533 EZ-KIT Lite Evaluation System Manual* provides instructions for installing the product hardware (board). The text describes the operation and configuration of the board components and provides guidelines for running your own code on the ADSP-BF533 EZ-KIT Lite. Finally, a schematic and a bill of materials are provided as a reference for future designs.

The product software installation is detailed in the *VisualDSP++ Installation Quick Reference Card*.

Intended Audience

The primary audience for this manual is a programmer who is familiar with Analog Devices processors. This manual assumes that the audience has a working knowledge of the appropriate processor architecture and instruction set. Programmers who are unfamiliar with Analog Devices processors can use this manual but should supplement it with other texts (such as the *ADSP-BF533 Processor Hardware Reference* and the *Blackfin Processor Instruction Set Reference*) that describe your target architecture.

Programmers who are unfamiliar with VisualDSP++ should refer to the VisualDSP++ online Help and user's or getting started guides. For the locations of these documents, see [“Related Documents”](#).

Manual Contents

The manual consists of:

- Chapter 1, [“Using ADSP-BF533 EZ-KIT Lite” on page 1-1](#)
Describes the EZ-KIT Lite functionality from a programmer's perspective and provides an easy-to-access memory map.
- Chapter 2, [“ADSP-BF533 EZ-KIT Lite Hardware Reference” on page 2-1](#)
Provides information on the EZ-KIT Lite hardware components.
- Appendix A, [“ADSP-BF533 EZ-KIT Lite Bill Of Materials” on page A-1](#)
Provides a list of components used to manufacture the EZ-KIT Lite board.
- Appendix B, [“ADSP-BF533 EZ-KIT Lite Schematic” on page B-1](#)
Provides the resources to allow EZ-KIT Lite board-level debugging or to use as a reference design.



Appendix B now is part of the online Help. The PDF version of the *ADSP-BF533 EZ-KIT Lite Evaluation System Manual* is located in the Docs\EZ-KIT Lite Manuals folder on the installation CD. Alternatively, the schematics can be found on the Analog Devices Web site: www.analog.com/processors.

What's New in This Manual

What's New in This Manual

The *ADSP-BF533 EZ-KIT Lite Evaluation System Manual* has been updated for VisualDSP++ 4.5.

Technical or Customer Support

You can reach Analog Devices, Inc. Customer Support in the following ways:

- Visit the Embedded Processing and DSP products Web site at <http://www.analog.com/processors/technicalSupport>
- E-mail tools questions to processor.tools.support@analog.com
- E-mail processor questions to processor.support@analog.com (World wide support)
processor.europe@analog.com (Europe support)
processor.china@analog.com (China support)
- Phone questions to **1-800-ANALOGD**
- Contact your Analog Devices, Inc. local sales office or authorized distributor
- Send questions by mail to:
Analog Devices, Inc.
One Technology Way
P.O. Box 9106
Norwood, MA 02062-9106
USA

Supported Processors

This evaluation system supports Analog Devices ADSP-BF533 Blackfin processors.

Product Information

You can obtain product information from the Analog Devices Web site, from the product CD-ROM, or from the printed publications (manuals).

Analog Devices is online at www.analog.com. Our Web site provides information about a broad range of products—analogue integrated circuits, amplifiers, converters, and digital signal processors.

MyAnalog.com

MyAnalog.com is a free feature of the Analog Devices Web site that allows customization of a Web page to display only the latest information on products you are interested in. You can also choose to receive weekly e-mail notifications containing updates to the Web pages that meet your interests. MyAnalog.com provides access to books, application notes, data sheets, code examples, and more.

Registration:

Visit www.myanalog.com to sign up. Click **Register** to use MyAnalog.com. Registration takes about five minutes and serves as means for you to select the information you want to receive.

If you are already a registered user, just log on. Your user name is your e-mail address.

Product Information

Processor Product Information

For information on embedded processors and DSPs, visit our Web site at www.analog.com/processors, which provides access to technical publications, data sheets, application notes, product overviews, and product announcements.

You may also obtain additional information about Analog Devices and its products in any of the following ways.

- E-mail questions or requests for information to
processor.support@analog.com (World wide support)
processor.europe@analog.com (Europe support)
processor.china@analog.com (China support)
- Fax questions or requests for information to
1-781-461-3010 (North America)
+49-89-76903-157 (Europe)

Related Documents

For information on product related development software, see the following publications.

Table 1. Related Processor Publications

Title	Description
<i>ADSP-BF533 Embedded Processor Datasheet</i>	General functional description, pinout, and timing.
<i>ADSP-BF533 Blackfin Processor Hardware Reference</i>	Description of internal processor architecture and all register functions.
<i>Blackfin Processor Instruction Set Reference</i>	Description of all allowed processor assembly instructions.

Table 2. Related VisualDSP++ Publications

Title	Description
<i>VisualDSP++ User's Guide</i>	Description of VisualDSP++ features and usage.
<i>VisualDSP++ Assembler and Preprocessor Manuals</i>	Description of the assembler function and commands.
<i>VisualDSP++ C/C++ Compiler and Library Manual for Blackfin Processors</i>	Description of the compiler function and commands for Blackfin processors.
<i>VisualDSP++ Linker and Utilities Manual</i>	Description of the linker function and commands.
<i>VisualDSP++ Loader and Utilities Manual</i>	Description of the loader/splitter function and commands.



If you plan to use the EZ-KIT Lite board in conjunction with a JTAG emulator, also refer to the documentation that accompanies the emulator.

All documentation is available online. Most documentation is available in printed form.

Visit the Technical Library Web site to access all processor and tools manuals and data sheets:

<http://www.analog.com/processors/resources/technicalLibrary>.

Online Technical Documentation

Online documentation comprises the VisualDSP++ Help system, software tools manuals, hardware tools manuals, processor manuals, the Dinkum Abridged C++ library, and Flexible License Manager (FlexLM) network license manager software documentation. You can easily search across the entire VisualDSP++ documentation set for any topic of interest. For easy printing, supplementary .pdf files of most manuals are provided in the Docs folder on the VisualDSP++ installation CD.

Each documentation file type is described as follows.

Product Information

File	Description
.chm	Help system files and manuals in Help format
.htm or .html	Dinkum Abridged C++ library and FlexLM network license manager software documentation. Viewing and printing the .html files requires a browser, such as Internet Explorer 5.01 (or higher).
.pdf	VisualDSP++ and processor manuals in Portable Documentation Format (PDF). Viewing and printing the .pdf files requires a PDF reader, such as Adobe Acrobat Reader (4.0 or higher).

If documentation is not installed on your system as part of the software installation, you can add it from the VisualDSP++ CD at any time by running the Tools installation. Access the online documentation from the VisualDSP++ environment, Windows[®] Explorer, or the Analog Devices Web site.

Accessing Documentation From VisualDSP++

To view VisualDSP++ Help, click on the **Help** menu item or go to the Windows task bar and navigate to the VisualDSP++ documentation via the **Start** menu.

To view ADSP-BF533 EZ-KIT Lite Help, which is part of the VisualDSP++ Help system, use the **Contents** or **Search** tab of the Help window.

Accessing Documentation From Windows

In addition to any shortcuts you may have constructed, there are many ways to open VisualDSP++ online Help or the supplementary documentation from Windows.

Help system files (.chm) are located in the `Help` folder, and .pdf files are located in the `Docs` folder of your VisualDSP++ installation CD-ROM. The `Docs` folder also contains the Dinkum Abridged C++ library and the FlexLM network license manager software documentation.

Your software installation kit includes online Help as part of the Windows interface. These help files provide information about VisualDSP++ and the ADSP-BF533 EZ-KIT Lite evaluation system.

Accessing Documentation From Web

Download manuals at the following Web site:

<http://www.analog.com/processors/resources/technicalLibrary/manuals>.

Select a processor family and book title. Download archive (.zip) files, one for each manual. Use any archive management software, such as WinZip, to decompress downloaded files.

Printed Manuals

For general questions regarding literature ordering, call the Literature Center at 1-800-ANALOGD (1-800-262-5643) and follow the prompts.

VisualDSP++ Documentation Set

To purchase VisualDSP++ manuals, call 1-603-883-2430. The manuals may be purchased only as a kit.

If you do not have an account with Analog Devices, you are referred to Analog Devices distributors. For information on our distributors, log onto <http://www.analog.com/salesdir/continent.asp>.

Hardware Tools Manuals

To purchase EZ-KIT Lite and in-circuit emulator (ICE) manuals, call 1-603-883-2430. The manuals may be ordered by title or by product number located on the back cover of each manual.

Product Information

Processor Manuals

Hardware reference and instruction set reference manuals may be ordered through the Literature Center at **1-800-ANALOGD (1-800-262-5643)**, or downloaded from the Analog Devices Web site. Manuals may be ordered by title or by product number located on the back cover of each manual.




Data Sheets

All data sheets (preliminary and production) may be downloaded from the Analog Devices Web site. Only production (final) data sheets (Rev. 0, A, B, C, and so on) can be obtained from the Literature Center at **1-800-ANALOGD (1-800-262-5643)**; they also can be downloaded from the Web site.


To have a data sheet faxed to you, call the Analog Devices Faxback System at **1-800-446-6212**. Follow the prompts and a list of data sheet code numbers will be faxed to you. If the data sheet you want is not listed, check for it on the Web site.

Notation Conventions

Text conventions used in this manual are identified and described as follows.

Example	Description
Close command (File menu)	Titles in reference sections indicate the location of an item within the VisualDSP++ environment's menu system (for example, the Close command appears on the File menu).
{this that}	Alternative required items in syntax descriptions appear within curly brackets and separated by vertical bars; read the example as <i>this</i> or <i>that</i> . One or the other is required.
[this that]	Optional items in syntax descriptions appear within brackets and separated by vertical bars; read the example as an optional <i>this</i> or <i>that</i> .
[this,...]	Optional item lists in syntax descriptions appear within brackets delimited by commas and terminated with an ellipsis; read the example as an optional comma-separated list of <i>this</i> .
.SECTION	Commands, directives, keywords, and feature names are in text with letter gothic font.
<i>filename</i>	Non-keyword placeholders appear in text with italic style format.
	Note: For correct operation, ... A Note provides supplementary information on a related topic. In the online version of this book, the word Note appears instead of this symbol.
	Caution: Incorrect device operation may result if ... Caution: Device damage may result if ... A Caution identifies conditions or inappropriate usage of the product that could lead to undesirable results or product damage. In the online version of this book, the word Caution appears instead of this symbol.
	Warning: Injury to device users may result if ... A Warning identifies conditions or inappropriate usage of the product that could lead to conditions that are potentially hazardous for the devices users. In the online version of this book, the word Warning appears instead of this symbol.

Notation Conventions

 Additional conventions, which apply only to specific chapters, may appear throughout this document.

1 USING ADSP-BF533 EZ-KIT LITE

This chapter provides specific information to assist you with development of programs for the ADSP-BF533 EZ-KIT Lite evaluation system.

The information appears in the following sections.

- [“Package Contents” on page 1-2](#)
Lists the items contained in your ADSP-BF533 EZ-KIT Lite package.
- [“Default Configuration” on page 1-3](#)
Shows the default configuration of the ADSP-BF533 EZ-KIT Lite.
- [“Installation and Session Startup” on page 1-5](#)
Instructs how to start a new or open an existing ADSP-BF533 EZ-KIT Lite session using VisualDSP++.
- [“Evaluation License Restrictions” on page 1-7](#)
Describes the restrictions of the VisualDSP++ demo license shipped with the EZ-KIT Lite.
- [“Memory Map” on page 1-7](#)
Defines the ADSP-BF533 EZ-KIT Lite board’s memory map.
- [“SDRAM Interface” on page 1-9](#)
Defines the register values to configure the on-board SDRAM.
- [“Flash Memory” on page 1-10](#)
Describes the on-board flash memory.
- [“LEDs and Push Buttons” on page 1-15](#)
Describes the board’s general-purpose IO pins and buttons.

Package Contents

- [“Audio Interface” on page 1-15](#)
Describes the board’s audio interface.
- [“Video Interface” on page 1-16](#)
Describes the board’s video interface.
- [“Example Programs” on page 1-17](#)
Provides information about the example programs included in the ADSP-BF533 EZ-KIT Lite evaluation system.
- [“Background Telemetry Channel” on page 1-17](#)
Highlights the advantages of the background telemetry channel feature of VisualDSP++.

For information on the graphical user interface, including the boot loading, target options, and other facilities of the EZ-KIT Lite system, refer to the online Help.

For more detailed information about programming the ADSP-BF533 Blackfin processor, see the documents referred to as [“Related Documents”](#).

Package Contents

Your ADSP-BF533 EZ-KIT Lite evaluation system package contains the following items.

- ADSP-BF533 EZ-KIT Lite board
- *VisualDSP++ Installation Quick Reference Card*
- CD containing:
 - ✓ VisualDSP++ software
 - ✓ ADSP-BF533 EZ-KIT Lite debug software

- ✓ USB driver files
 - ✓ Example programs
 - ✓ ADSP-BF533 *EZ-KIT Lite Evaluation System Manual* (this document)
- Universal 7.5V DC power supply
 - USB 2.0 type cable
 - Registration card (please fill out and return)

If any item is missing, contact the vendor where you purchased your EZ-KIT Lite or contact Analog Devices, Inc.

Default Configuration

The EZ-KIT Lite evaluation system contains ESD (electrostatic discharge) sensitive devices. Electrostatic charges readily accumulate on the human body and equipment and can discharge without detection. Permanent damage may occur on devices subjected to high-energy discharges. Proper ESD precautions are recommended to avoid performance degradation or loss of functionality. Store unused EZ-KIT Lite boards in the protective shipping package.



The ADSP-BF533 EZ-KIT Lite board is designed to run outside your personal computer as a stand-alone unit. You do not have to open your computer case.

When removing the EZ-KIT Lite board from the package, handle the board carefully to avoid the discharge of static electricity, which may damage some components. [Figure 1-1](#) shows the default jumper settings, DIP switch, connector locations, and LEDs used in installation. Confirm that your board is set up in the default configuration before using the board.

Default Configuration

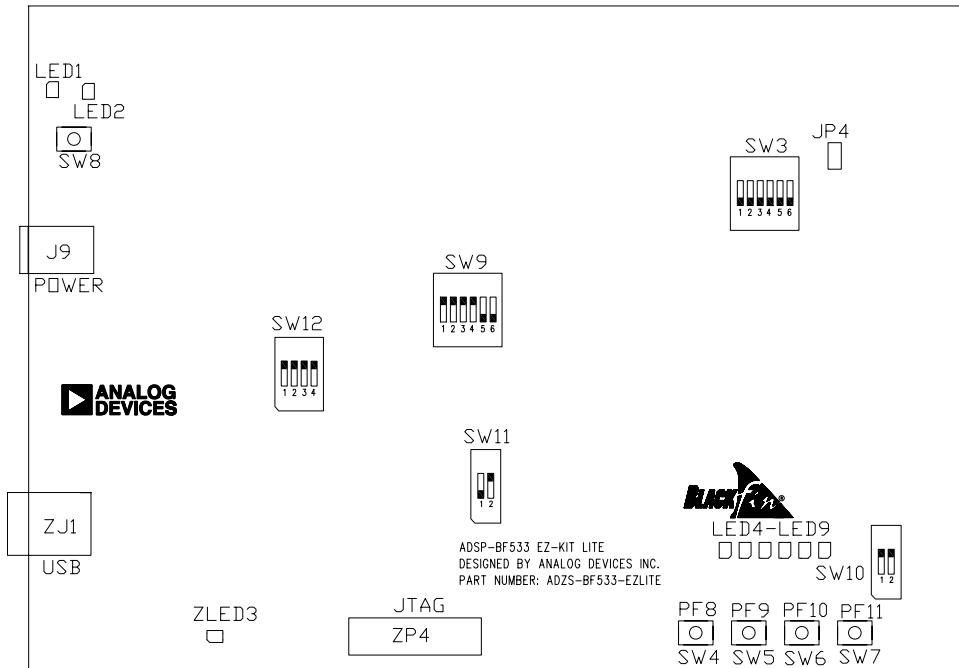



Figure 1-1. EZ-KIT Lite Hardware Setup

To connect the EZ-KIT Lite board:

1. Plug the provided power supply into **J9** on the EZ-KIT Lite board. Visually verify that the green power LED (**LED1**) is on. Also verify that the red reset LED (**LED2**) goes on for a moment and then goes off.
2. Connect one end of the USB cable to an available full speed USB port on your PC and the other end to **ZJ1** on the ADSP-BF533 EZ-KIT Lite board.

Installation and Session Startup

 For correct operation, install the software and hardware in the order presented in the *VisualDSP++ Installation Quick Reference Card*.

1. Verify that the yellow USB monitor LED (ZLED3, located near the USB connector) is lit. This signifies that the board is communicating properly with the host PC and is ready to run VisualDSP++.
2. If you are running VisualDSP++ for the first time, navigate to the VisualDSP++ environment via the **Start** → **Programs** menu. The main window appears. Note that VisualDSP++ does not connect to any session. Skip the rest of this step to step 3.

If you have run VisualDSP++ previously, the last opened session appears on the screen. You can override the default behavior and force VisualDSP++ to start a new session by pressing and holding down the **Ctrl** key while starting VisualDSP++. Do not release the **Ctrl** key until the **Session Wizard** appears on the screen. Go to step 4.

3. To connect to a new EZ-KIT Lite session, start **Session Wizard** by selecting one of the following.
 - From the **Session** menu, **New Session**.
 - From the **Session** menu, **Session List**. Then click **New Session** from the **Session List** dialog box.
 - From the **Session** menu, **Connect to Target**. Then click **New Session** from the **Session List** dialog box.
4. The **Select Processor** page of the wizard appears on the screen. Ensure **Blackfin** is selected in **Processor family**. In **Choose a target processor**, select **ADSP-BF533**. Click **Next**.

Installation and Session Startup


5. The **Select Connection Type** page of the wizard appears on the screen. Select **EZ-KIT Lite** and click **Next**.
6. The **Select Platform** page of the wizard appears on the screen. In the **Select your platform** list, select **ADSP-BF533 EZ-KIT Lite via Debug Agent**. In **Session name**, highlight or specify the session name.

The session name can be a string of any length; although, the box displays approximately 32 characters. The session name can include space characters. If you do not specify a session name, VisualDSP++ creates a session name by combining the name of the selected platform with the selected processor. The only way to change a session name later is to delete the session and to open a new session.

Click **Next**.

7. The **Finish** page of the wizard appears on the screen. The page displays your selections. If you are satisfied, click **Finish**. If not, click **Back** to make changes.



To disconnect from a session, click the disconnect button  or select **Session** → **Disconnect from Target**.

To delete a session, select **Session** → **Session List**. Select the session name from the list and click **Delete**. Click **OK**.

Evaluation License Restrictions

The ADSP-BF533 EZ-KIT Lite installation is part of the VisualDSP++ installation. The EZ-KIT Lite is a licensed product that offers an unrestricted evaluation license for the first 90 days. Once the initial unrestricted 90-day evaluation license expires:

- VisualDSP++ allows a connection to the ADSP-BF533 EZ-KIT Lite via the USB debug agent interface only. Connections to simulators and emulation products are no longer allowed.
- The linker restricts a users program to 20 KB of internal memory for code space with no restrictions for data space.



The EZ-KIT Lite hardware must be connected and powered up to use VisualDSP++ with a valid evaluation or permanent license.

Refer to the *VisualDSP++ Installation Quick Reference Card* for details.

Memory Map

The ADSP-BF533 processor has internal SRAM that can be used for instruction or data storage. The configuration of internal SRAM is detailed in the *ADSP-BF533 Processor Hardware Reference*.

The ADSP-BF533 EZ-KIT Lite board includes two types of external memory, SDRAM and flash memory.

The size of the SDRAM is 64 Mbytes (32M x 16-bits). The processor's memory select pin \sim SMS0 is configured for the SDRAM.

The flash memory is implemented with two dual-bank flash memory devices. These devices include primary and secondary flash memory as well as internal SRAM and registers. Primary flash memory totals 2 Mbytes mapped into two separate asynchronous memory banks,

Memory Map

1 Mbyte each. Secondary flash memory, along with SRAM and registers, occupies the third bank of asynchronous memory space. The processor's ~AMS0, ~AMS1, and ~AMS2 memory select pins are used for that purpose.

Table 1-1. EZ-KIT Lite Evaluation Board Memory Map

	Start Address	End Address	Content
External Memory	0x0000 0000	0x07FF FFFF	SDRAM bank 0 (SDRAM). See “SDRAM Interface” on page 1-9 .
	0x2000 0000	0x200F FFFF	ASYNCR memory bank 0 (primary flash A). See “Flash Memory” on page 1-10 .
	0x2010 0000	0x201F FFFF	ASYNCR memory bank 1 (primary flash B). See “Flash Memory” on page 1-10 .
	0x2020 0000	0x202F FFFF	ASYNCR memory bank 2 (flash A and B secondary memory, SRAM and internal registers). See “Flash Memory” on page 1-10 .
	All other locations		Not used
Internal Memory	0xFF80 0000	0xFF80 3FFF	Data bank A SRAM 16 KB
	0xFF80 4000	0xFF80 7FFF	Data bank A SRAM/CACHE 16 KB
	0xFF90 0000	0xFF90 3FFF	Data bank B SRAM 16 KB
	0xFF90 4000	0xFF90 7FFF	Data bank B SRAM/CACHE 16 KB
	0xFFA0 0000	0xFFA0 FFFF	Instruction SRAM 64 KB
	0xFFA1 0000	0xFFA1 3FFF	Instruction SRAM /CACHE 16 KB
	0xFFB0 0000	0xFFB0 0FFF	Scratch pad SRAM 4 KB
	0xFFC0 0000	0xFFDF FFFF	System MMRs 2 MB
	0xFFE0 0000	0xFFFF FFFF	Core MMRs 2 MB
	All other locations		Reserved

SDRAM Interface

The three SDRAM control registers must be initialized in order to use the MT48LC32M16 – 64 MB (32M x 16 bits) SDRAM memory.

If you are in an EZ-KIT Lite or emulator session and a reset operation is performed, the SDRAM registers are set automatically to the values listed in [Table 1-2](#). To disable this feature, clear the **Use XML reset values** check box on the **Target Options** dialog box, which is accessible through the **Settings** pull-down menu. The values are derived for maximum flexibility and work for a system clock frequency between 54 MHz and 133 MHz. For more information about the Target Options dialog box, see the online Help.

Automatic configuration of SDRAM is not optimized for any SCLK frequency. [Table 1-2](#) shows the optimized configuration for the SDRAM registers using a 118.8 MHz, 126 MHz, and 133 MHz SCLK. The frequency of 118.8 MHz is the maximum SCLK frequency when using a 594 MHz core frequency, the maximum frequency for the EZ-KIT Lite when using the internal voltage regulator. Only the EBIU_SDRRC register needs to be modified in the user code to achieve maximum performance.

Table 1-2. SDRAM Optimum Settings

Register	SCLK = 133 MHz (Processor MAX)	SCLK = 126 MHz (CCLK = 756 MHz)	SCLK = 118.8 MHz (CCLK = 594 MHz)
EBIU_SDGCTL	0x0091 998D	0x0091 998D	0x0091 998D
EBIU_SDBCTL			
ADSP-BF533 EZ-KIT Lite revision 1.5 and below	0x0000 0013	0x0000 0013	0x0000 0013
ADSP-BF533 EZ-KIT Lite revision 1.6 and above	0x0000 0025	0x0000 0025	0x0000 0025
EBIU_SDRRC	0x0000 0406	0x0000 03CF	0x0000 0397

Flash Memory

An example program is included in the EZ-KIT installation directory to demonstrate how to set up the SDRAM interface.

Flash Memory

The following sections describe how to use the memory and general-purpose IO pins, as well as how to configure the flash memory devices.

The ADSP-BF533 EZ-KIT Lite board employs two PSD4256G6V flash general-purpose IO devices from STMicroelectronics. These devices not only have flash memory but also extra IO pins, which are memory mapped.

Example code is provided in the EZ-KIT installation directory to demonstrate how to program the flash memory as well as to demonstrate the functionality of the general-purpose IO pins.

Flash Memory Map

Each device includes the following memory segments:

- 1M byte of primary flash memory
- 64K bytes of secondary flash memory
- 32 Kbytes of internal SRAM
- 256 Bytes of configuration registers (IO control)

Access to each segment can be 8-bit or 16-bit. The processor's \sim AMS0, \sim AMS1, and \sim AMS2 memory select pin are used for that purpose. Asynchronous memory bank 0 is always enabled after a hard reset, while banks 1 and 2 need to be enabled by software. [Table 1-3](#) provides an example on asynchronous memory configuration registers.

Table 1-3. Asynchronous Memory Control Registers Settings Example

Register	Value	Function
EBIU_AMBCTL0	0x7BB07BB0	Timing control for banks 1 and 0
EBIU_AMBCTL1 bits 15-0	0x7BB0	Timing control for bank 2 (bank 3 is not used)
EBIU_AMGCTL bits 3-0	0xF	Enable all banks

Each flash chip is initially configured with the memory sectors mapped into the processor's address space shown in [Table 1-4](#).

Table 1-4. Flash Memory Map

Start Address	End Address	Content
0x2000 0000	0x200F FFFF	Flash A primary (1MB)
0x2010 0000	0x201F FFFF	Flash B primary (1MB)
0x2020 0000	0x2020 FFFF	Flash A secondary (64KB)
0x2024 0000	0x2024 7FFF	Flash A SRAM (32KB)
0x2027 0000	0x2027 00FF	Flash A registers (256 Bytes)
0x2028 0000	0x2028 FFFF	Flash B secondary (64KB)
0x202C 0000	0x202C 7FFF	Flash B SRAM (32KB)
0x202E 0000	0x202E 00FF	Flash B registers (256 Bytes)
All other locations		Reserved

Flash Memory

Flash General-Purpose IO

This section describes general-purpose IO signals that are controlled by means of setting appropriate registers of the flash A or flash B. These registers are mapped into the processor's address space, as shown in [Table 1-4](#).

Flash device IO pins are arranged as 8-bit ports labeled A through G. There is a set of 8-bit registers associated with each port. These registers are `Direction`, `Data In`, and `Data Out`. Note that the `Direction` and `Data Out` registers are cleared to all zeros at power-up or hardware reset.

The `Direction` register controls IO pins direction. When a bit is 0, a corresponding pin functions as an input. When the bit is 1, a corresponding pin is an output. This is a 8-bit read-write register.

The `Data In` register allows reading the status of port's pins. This is a 8-bit read-only register.

The `Data Out` register allows clearing an output pin to 0 or setting it to 1. This is a 8-bit read-write register.

The ADSP-BF533 EZ-KIT Lite board employs only flash A and flash B ports A and B. [Table 1-5](#) and [Table 1-6](#) provide configuration register addresses for flash A and flash B, respectively (only ports A and B are listed). The following bits connect to the expansion board connector.

- Flash A: port A bits 7 and 6, as well as port B bits 7 and 6
- Flash B: port A bits 7-0

Table 1-5. Flash A Configuration Registers for Ports A and B

Register Name	Port A Address	Port B Address
<code>Data In</code> (read-only)	0x2027 0000	0x2027 0001
<code>Data Out</code> (read-write)	0x2027 0004	0x2027 0005
<code>Direction</code> (read-write)	0x2027 0006	0x2027 0007

Table 1-6. Flash B Configuration Registers for Ports A and B

Register Name	Port A Address	Port B Address
Data In (read-only)	0x202E 0000	0x202E 0001
Data Out (read-write)	0x202E 0004	0x202E 0005
Direction (read-write)	0x202E 0006	0x202E 0007

Table 1-7 and Table 1-8 depict the IO assignments.

Table 1-7. Flash A Port A Controls

Bit Number	User IO	Bit Value
7	Not defined	Any
6	Not defined	Any
5	PPI clock select bit 1	00 = local OSC (27 MHz)
4	PPI clock select bit 0	01= video decoder pixel clock 1X = expansion board PPI clock
3	Video decoder reset	0= reset ON; 1= reset OFF
2	Video encoder reset	0= reset ON; 1= reset OFF
1	Reserved	Any
0	Codec reset	0= reset ON; 1= reset OFF

Table 1-8. Flash A Port B Controls

Bit Number	User IO	Bit Value
7	Not used	Any
6	Not used	Any
5	LED9	0= LED OFF; 1= LED ON
4	LED8	0= LED OFF; 1= LED ON
3	LED7	0= LED OFF; 1= LED ON
2	LED6	0= LED OFF; 1= LED ON

Flash Memory

Table 1-8. Flash A Port B Controls (Cont'd)

Bit Number	User IO	Bit Value
1	LED5	0= LED OFF; 1= LED ON
0	LED4	0= LED OFF; 1= LED ON

Configuring Flash Memory

The flash memory is completely configurable. Use PSDsoft Express™ to modify the default settings of each flash memory. After the project has been modified, the flash memory must be re-programmed using FlashLINK™. The default project file is provided in `...\Blackfin\Examples\ADSP-BF533 EZ-KIT Lite\PSD4256G_ConfigFiles` directory. Analog Devices does not provide any support for setting up the PSD4256G6V with PSDsoft Express or programming it using FlashLINK. Email STMicroelectronics at apps.psd@st.com for technical assistance.

The PSD4256G6V can be re-programmed using the FlashLINK JTAG programming cable available from STMicroelectronics (www.st.com/psd) for approximately \$59. FlashLINK plugs into any PC parallel port. The PSDsoft Express development software is required to modify the DSM2150 configuration and to operate the FlashLINK cable. PSDsoft Express can be downloaded at no charge from www.st.com/psd.

LEDs and Push Buttons

The EZ-KIT Lite provides four push buttons and six LEDs for general-purpose IO.

The six LEDs, labeled LED4 through LED9, are accessed via some of the general-purpose IO pins of the flash memory interface. For information on how to program the pins, see [“Flash General-Purpose IO” on page 1-12](#).

The four general-purpose push buttons are labeled SW4 through SW7. A status of each individual button can be read through programmable flag (PF) inputs, PF8 through PF11. A PF reads 1 when a corresponding switch is being pressed-on. When the switch is released, the PF reads 0. A connection between the push button and PF input is established through the SW9 DIP switch. See [“Push Button Enable Switch \(SW9\)” on page 2-12](#) for details.

An example program is included in the EZ-KIT installation directory to demonstrate the functionality of the LEDs and push buttons.

Audio Interface

The AD1836 audio codec provides three channels of stereo audio output and two channels of multichannel 96 kHz input. The SPORT0 interface of the processor links with the stereo audio data input and output pins of the AD1836 codec. The processor is capable of transferring data to the audio codec in time-division multiplexed (TDM) or two-wire interface (TWI) mode.

The TWI mode allows the codec to operate at a 96 kHz sample rate but limits the output channels to two. The TDM mode can operate at a maximum of 48 kHz sample rate but allows simultaneous use of all input and output channels. When using TWI mode, the TSCLK0 and RSCLK0 pins, as well as the TFS0 and RFS0 pins of the processor, must be tied together

Video Interface

external to the processor. This is accomplished with the SW9 DIP switch (see “[Push Button Enable Switch \(SW9\)](#)” on page 2-12 for more information).

The AD1836 audio codec’s internal configuration registers are configured using the SPI port of the processor. The processor’s PF4 programmable flag pin is used as the select for this device. For information on how to configure the multichannel codec, go to www.analog.com/UploadedFiles/Datasheets/344740003AD1836_prc.pdf.

The general-purpose IO pin PA0 of flash A is a source for the AD1836 codec reset. See “[Flash General-Purpose IO](#)” on page 1-12 for more information about the pin.

Example programs are included in the EZ-KIT installation directory to demonstrate AD1836 codec capabilities.

Video Interface

The board supports video input and output applications. The ADV7171 video encoder provides up to three output channels of analog video, while the ADV7183 video decoder provides up to three input channels of analog video. Both the encoder and the decoder connect to the parallel peripheral interface (PPI) of the processor. For additional information on the video interface hardware, refer to “[PPI Interface](#)” on page 2-5.

For the video interface to be operational, the following basic steps must be performed.

1. Configure the SW3 DIP switch as required by the application. Refer to “[Video Configuration Switch \(SW3\)](#)” on page 2-11 for details.
2. Remove reset to the video device. Refer to “[Flash General-Purpose IO](#)” on page 1-12 for details.

3. If using the decoder:
 - ✓ Enable device by driving programmable flag output PF2 to 0.
 - ✓ Select PPI clock (see [Table 1-7 on page 1-13](#)).
4. Program internal registers of the video device in use. Both video encoder and decoder use a two-wire serial interface to access internal registers. A programmable flag PF0 functions as a serial clock (SCL), and PF1 functions as a serial data (SDAT).
5. Program the processor's PPI interface (configuration registers, DMA, etc.).

Example programs are included in the EZ-KIT installation directory to demonstrate the capabilities of the video interface.

Example Programs

Example programs are provided with the ADSP-BF533 EZ-KIT Lite to demonstrate various capabilities of the evaluation board. These programs are installed with the EZ-KIT Lite software and can be found in the ...\\Blackfin\\Examples\\ADSP-BF533 EZ-KIT Lite subdirectory of the VisualDSP++ installation directory. Please refer to the readme file provided with each example for more information.

Background Telemetry Channel

The ADSP-BF533 USB debug agent supports the background telemetry channel (BTC), which facilitates data exchange between VisualDSP++ and the processor without interrupting processor execution.

Background Telemetry Channel

The BTC allows the user to view a variable as it is updated or changed, all while the processor continues to execute. For increased performance of the BTC, including faster reading and writing, please check out our latest line of processor emulators at <http://www.analog.com/processors/resources/crosscore/emulators/index.html>. For more information about the background telemetry channel, see the *VisualDSP++ User's Guide* or online Help.

2 ADSP-BF533 EZ-KIT LITE HARDWARE REFERENCE

This chapter describes the hardware design of the ADSP-BF533 EZ-KIT Lite board. The following topics are covered.

- [“System Architecture” on page 2-2](#)
Describes the configuration of the ADSP-BF533 EZ-KIT Lite board and explains how the board components interface with the processor.
- [“Jumper and Switch Settings” on page 2-10](#)
Shows the location and describes the function of the configuration jumpers and switches.
- [“LEDs and Push Buttons” on page 2-13](#)
Shows the location and describes the function of the LEDs and push buttons.
- [“Connectors” on page 2-17](#)
Shows the location and gives the part number for all of the connectors on the board. Also, the manufacturer and part number information is given for the mating parts.

System Architecture

This section describes the processor's configuration on the EZ-KIT Lite board.

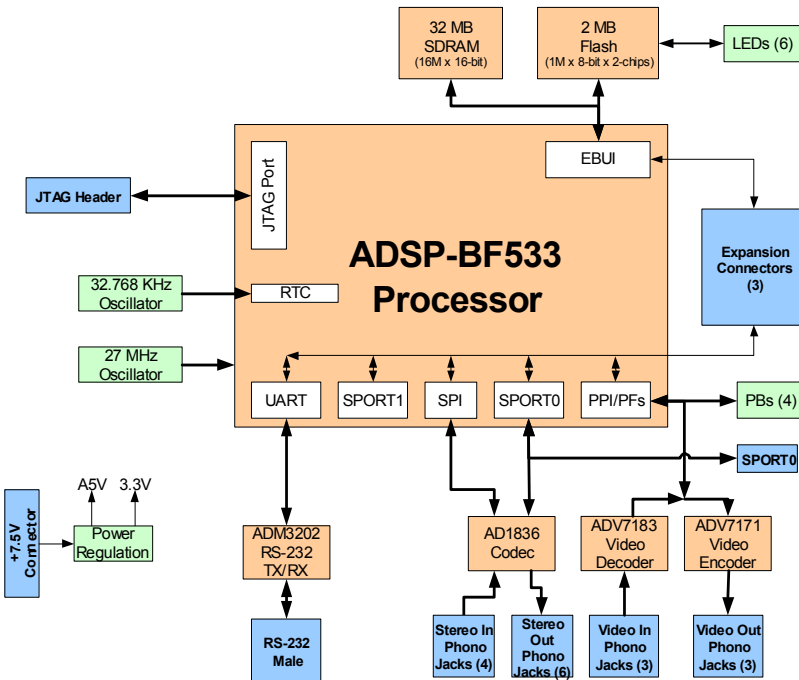


Figure 2-1. System Architecture

This EZ-KIT Lite has been designed to demonstrate the capabilities of the ADSP-BF533 Blackfin processor. The processor has an IO voltage of 3.3V. The core voltage is derived from this 3.3V supply and uses the internal regulator of the processor. The core voltage and the core clock rate can be set up on the fly by the processor. Refer to the *ADSP-BF533 Blackfin Processor Hardware Reference* for more information.

The default boot mode for the processor is flash boot. See [“Boot Mode Switch \(SW11\)” on page 2-11](#) for information about changing the default.

External Bus Interface Unit

The external bus interface unit (EBIU) connects an external memory to the ADSP-BF533 processor. The EBIU includes a 16-bit wide data bus, an address bus, and a control bus. Both 16-bit and 8-bit access are supported. On the EZ-KIT Lite, the EBI unit connects to SDRAM and flash memory.

64 MB (32M x 16 bits) of SDRAM connect to the synchronous memory select 0 (\sim SMS0) pin. Refer to [“SDRAM Interface” on page 1-9](#) for information about SDRAM configuration. Note that SDRAM’s clock is the processor’s clock out (CLK OUT), which frequency should not exceed 133 MHz.

Two flash memory devices connect to the asynchronous memory select signals, \sim AMS2 through \sim AMS0. The devices provide a total of 2 Mbytes of primary flash memory, 128 Kbytes of secondary flash memory, and 64 Kbytes of SRAM. The processor can use this memory for both booting and storing information during normal operation. Refer to [“Flash Memory” on page 1-10](#) for details.

All of the address, data, and control signals are available externally via the extender connectors (J1-3). The pinout of the connectors can be found in [“ADSP-BF533 EZ-KIT Lite Schematic” on page B-1](#).

SPORT Audio Interface

The SPORT0 connects to the AD1836 audio codec and the expansion interface. The AD1836 codec uses both the primary and secondary data transmit and receive pins to input and output data from the audio inputs and outputs.

System Architecture

The SPORT1 connects to the SPORT connector (P3) and the expansion interface.

The pinout of the SPORT connector and the expansion interface connectors can be found in [“ADSP-BF533 EZ-KIT Lite Schematic”](#) on page B-1.

SPI Interface

The serial peripheral interface (SPI) of the ADSP-BF533 processor connects to the AD1836 audio codec and the expansion interface. The SPI connection to the AD1836 is used to access the control registers of the device. The PF4 flag of the processor is used as the devices select for the SPI port.

The SPI signals are available on the expansion interface and on the SPI connector (P6). The interface pinout can be found in [“ADSP-BF533 EZ-KIT Lite Schematic”](#) on page B-1.

Programmable Flags

The processor has 15 programmable flag pins (PFs). The pins are multi-functional and depend on the processor setup. [Table 2-1](#) is a summary of the programmable flag pins used on the EZ-KIT Lite.

Table 2-1. Programmable Flag Connections

Processor PF Pin	Other Processor Function	EZ-KIT Lite Function
PF0	SPI Slave Select	Serial clock for programming ADV7171 and ADV7183
PF1	SPI Select 1, Timer CLK	Serial data for programming ADV7171 and ADV7183
PF2	SPI Select 2	ADV7183 ~OE signal
PF3	SPI Select 3, FS3	ADV7183 FIELD pin. See “Video Configuration Switch (SW3)” on page 2-11.

Table 2-1. Programmable Flag Connections (Cont'd)

Processor PF Pin	Other Processor Function	EZ-KIT Lite Function
PF4	SPI Select 4, PPI15	AD1836 SPI select
PF5	SPI Select 5, PPI14	
PF6	SPI Select 6, PPI13	
PF7	SPI Select 7, PPI12	
PF8	PPI11	Push button (SW4). See “LEDs and Push Buttons” on page 1-15 and “Push Button Enable Switch (SW9)” on page 2-12 for information on how to disable the push button.
PF9	PPI10	Push button (SW5). See “LEDs and Push Buttons” on page 1-15 and “Push Button Enable Switch (SW9)” on page 2-12 for information on how to disable the push button.
PF10	PPI9	Push button (SW6). See “LEDs and Push Buttons” on page 1-15 and “Push Button Enable Switch (SW9)” on page 2-12 for information on how to disable the push button.
PF11	PPI8	Push button (SW7). See “LEDs and Push Buttons” on page 1-15 and “Push Button Enable Switch (SW9)” on page 2-12 for information on how to disable the push button.
PF12	PPI7	ADV7171 and ADV7183 data (MSB)
PF13	PPI6	ADV7171 and ADV7183 data
PF14	PPI5	ADV7171 and ADV7183 data
PF15	PPI4	ADV7171 and ADV7183 data

PPI Interface

The parallel peripheral interface (PPI) of the ADSP-BF533 processor is a half-duplex, bi-directional port that can accommodate up to 16 bits of data. The interface has a dedicated input clock (27 MHz), three multiplexed frame sync signals, and four bits of dedicated data. The remaining

System Architecture

data bits come from the re-configured programmable flag pins. For information about the PFs multiplexed with the PPI pins, see [“Programmable Flags” on page 2-4](#). For information about the processor’s PPI interface, refer to the *ADSP-BF533 Blackfin Processor Hardware Reference*.

[Table 2-2](#) is a summary of the PPI pins used on the EZ-KIT Lite.

Table 2-2. PPI Connections

Processor PPI Pin	Other Processor Function	EZ-KIT Lite Function
PPI7	PF12	ADV7171 and ADV7183 data (MSB)
PPI6	PF13	ADV7171 and ADV7183 data
PPI5	PF14	ADV7171 and ADV7183 data
PPI4	PF15	ADV7171 and ADV7183 data
PPI3		ADV7171 and ADV7183 data
PPI2		ADV7171 and ADV7183 data
PPI1		ADV7171 and ADV7183 data
PPI0		ADV7171 and ADV7183 data
PF3	FS3	ADV7183 FIELD pin. For more information, see “Video Configuration Switch (SW3)” on page 2-11 .
TMR1	PPI_HSYNC	ADV7171 and ADV7183 HSYNC. For more information, see “Video Configuration Switch (SW3)” on page 2-11 .
TMR2	PPI_FSYNC	ADV7171 and ADV7183 VSYNC. For more information, see “Video Configuration Switch (SW3)” on page 2-11 .
PPI_CLK		Input from either the ADV7183 output clock or the same 27 MHz oscillator driving the processor. For more information, see “Video Interface” on page 1-16 .

The ADSP-BF533 EZ-KIT Lite board employs 8-bit PPI interface for video output and video input.

Video Output Mode

In the video output mode, the PPI interface is configured as output and connects to the on-board video encoder device, ADV7171. The ADV7171 encoder generates three analog video channels on DAC B, DAC C, and DAC D outputs. The PPI data connects to P7-0 of the encoder's pixel inputs. The encoder's PPI input clock runs at 27 MHz, in phase with CLK IN of the processor.

The encoder's synchronization signals, HSYNC and VSYNC, can be configured as inputs or outputs. Video blanking control signal is at level 1. The HSYNC and VSYNC signals can connect the multiplexed sync pins of the processor and the on-board ADV7183 video decoder via the SW3 switch, as described in [“Video Configuration Switch \(SW3\)” on page 2-11](#).

Video Input Mode

In the video input mode, the PPI interface is configured as input and connects to the on-board video decoder device, ADV7183. The ADV7183 decoder receives three analog video channels on AIN1, AIN4, and AIN5 input. The decoder's pixel data outputs P15-8 drive the PPI data (PPI3-0 and PF15-12). The decoder's 27 MHz pixel clock output can be selected to drive PPI clock, as shown in [Table 1-7 on page 1-13](#).

Synchronization outputs of the decoder, HS/HACTIVE, VS/VACTIVE, and FIELD, can connect the multiplexed sync pins of the ADSP-BF533 processor and the ADV7171 on-board video encoder via the SW3 DIP switch, as described in [“Video Configuration Switch \(SW3\)” on page 2-11](#).

UART Port

The universal asynchronous receiver/transmitter (UART) port of the processor connects to the ADM3202 RS-232 line driver, as well as to the expansion interface. The RS-232 line driver connects to the DB9 male connector, providing an interface to a personal computer and other serial devices.


Expansion Interface

The expansion interface consists of three 90-pin connectors. [Table 2-3 on page 2-8](#) shows the interfaces each connector provides. For the exact pinout of the connectors, refer to “[ADSP-BF533 EZ-KIT Lite Schematic](#)” on [page B-1](#). The mechanical dimensions of the connectors can be found on [page 2-17](#).

Table 2-3. Expansion Connector Interfaces

Connector	Interfaces
J1	5V, GND, address, data, PPI
J2	3.3V, GND, SPI, NMI, TMR2-0, SPORT0, SPORT1, PF15-0, EBUI control signals
J3	5V, 3.3V, GND, UART, flash IO, reset, video control signals

Limits to the current and to the interface speed must be taken into consideration when using the expansion interface. The maximum current limit is dependent on the capabilities of the used regulator. Additional circuitry can also add extra loading to signals, decreasing their maximum effective speed.

 Analog Devices does not support and is not responsible for the effects of additional circuitry.

JTAG Emulation Port

The JTAG emulation port allows an emulator to access the processor's internal and external memory through a 6-pin interface. The JTAG emulation port of the processor also connects to the USB debugging interface. When an emulator connects to the board at ZP4, the USB debugging interface is disabled. See [“JTAG \(ZP4\)”](#) on page 2-21 for more information about the JTAG connector.

To learn more about available emulators, contact Analog Devices (see [“Product Information”](#)).

Jumper and Switch Settings

This section describes the operation of the jumpers and switches. The jumper and switch locations are shown in [Figure 2-2](#).

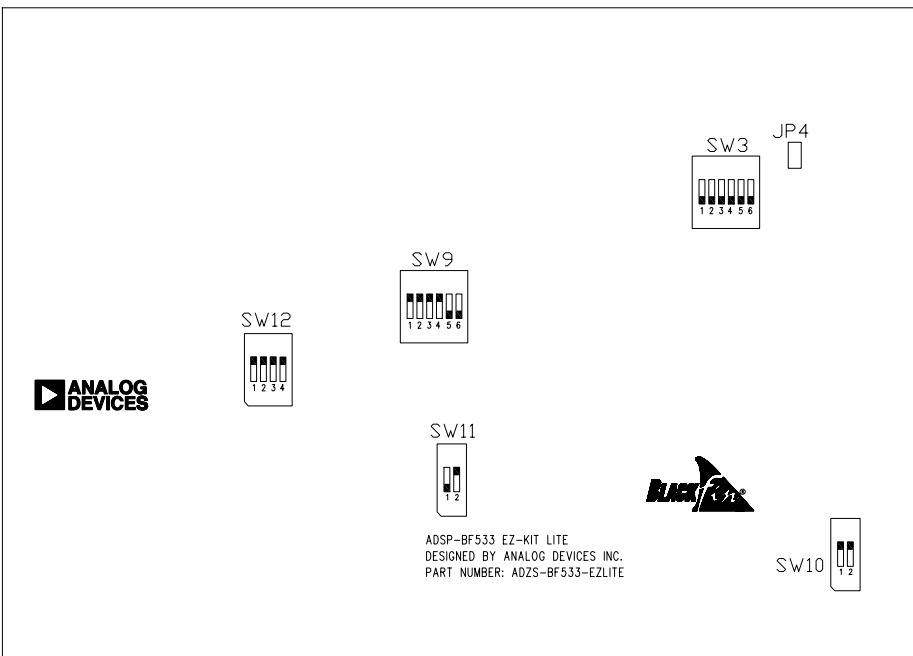


Figure 2-2. Jumper and Switch Locations

UART Loop Jumper (JP4)

The UART loop jumper (JP4) allows the loop back connection of transmit and receive signals. The default is the OFF position.

Boot Mode Switch (SW11)

Positions 1 and 2 of SW11 set the boot mode of the processor as described in [Table 2-4](#).

Table 2-4. Boot Mode Switch (SW11)

Position 1 BMODE0	Position 2 BMODE1	Boot Mode
ON	ON	16-bit external memory
OFF ¹	ON	Flash memory
ON	OFF	SPI host slave
OFF	OFF	SPI EEPROM

¹ Default settings

Test DIP Switches (SW1 and SW2)

Two DIP switches (SW1 and SW2) are located on the bottom of the board. The switches are used only for testing and should be in the OFF position.

Video Configuration Switch (SW3)

The video configuration switch (SW3) controls how some video signals from the ADV7183 video decoder and ADV7171 video encoder are routed to the processor's PPI. The switch also determines if the PF2 pin controls the \sim OE signal of the ADV7183 video decoder outputs. [Table 2-5](#) shows which processor's signals connect to the encoder and decoder in the default (ON) position.

Positions 1 through 5 of SW3 determine how and if the VSYNC, HSYNC, and FIELD control signals are routed to the processor's PPI. In standard configuration of the encoder and decoder, this is not necessary because the processor is capable of reading the control information embedded in the data stream.

Jumper and Switch Settings

Table 2-5. Video Configuration Switch (SW3)

Switch Position (Default)	Processor Signal	Video Signal
1 (OFF)	TMR1 (HSYNC)	HSYNC (ADV7171)
2 (OFF)	TMR1 (HSYNC)	HS (ADV7183)
3 (OFF)	TMR2 (VSYNC)	VS (ADV7183)
4 (OFF)	TMR2 (VSYNC)	VSYNC (ADV7171)
5 (OFF)	PF3 (FIELD)	FIELD (ADV7183)
6 (ON)	PF2	~OE (ADV7183)

Position 6 of SW3 determines whether PF2 connects to the ~OE signal of the ADV7183. When the switch is OFF, PF2 can be used for other operations, and the decoder output enable is held high with a pull-up resistor.

Push Button Enable Switch (SW9)

The push button enable (SW9) switch positions 1 through 4 disconnect the drivers associated with the push buttons from the PF pins of the processor. Positions 5 and 6 are used to connect the transmit and receive frame syncs and clocks of SPORT0. This is important when the AD1836 video decoder and the processor are communicating in I²S mode. Table 2-6 shows which PF is driven when the switch is in the default (ON) position.

Table 2-6. Push Button Enable Switch (SW9)

Switch Position	Default Setting	Pin #	Signal (Side 1)	Pin #	Signal (Side 2)
1	ON	1	SW4	12	PF8
2	ON	2	SW5	11	PF9
3	ON	3	SW6	10	PF10
4	ON	4	SW7	9	PF11
5	OFF	5	TFS0	8	RFS0
6	OFF	6	RSCLK0	7	TSCLK0

SPIS1/SPISS Select Switch (SW10)

The SPIS1/SPISS select switch (SW10) disconnects the SPIS1 and SPISS signals from the board, making them available on the SPI connector (P6). The default is the ON position.

SPORT0 Switch (SW12)

When is set to OFF, SW12 disconnects SPORT0 from the audio codec. The switch is used when SPORT0 signals are desired at the expansion interface. The default is the ON position.

LEDs and Push Buttons

This section describes the functionality of the LEDs and push buttons. [Figure 2-3](#) shows the locations of the LEDs and push buttons.

Programmable Flag Push Buttons (SW4–7)

Four push buttons, SW4-7, are provided for general-purpose user input. The buttons connect to the processor's programmable flag pins PF8-11. The push buttons are active high and, when pressed, send a high (1) to the processor. Refer to [“LEDs and Push Buttons” on page 1-15](#) for information on PFs programming. The push button enable switch (SW9) is capable of disconnecting the push buttons from the PFs (refer to [“Push Button Enable Switch \(SW9\)” on page 2-12](#) for more information). The programmable flag pins and their corresponding push buttons are shown in [Table 2-7](#).

LEDs and Push Buttons

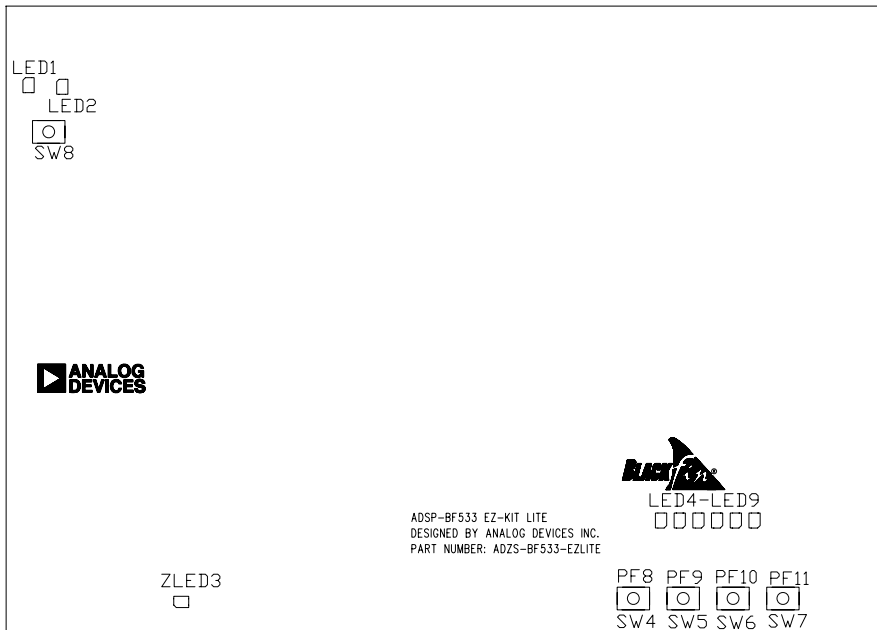


Figure 2-3. LED and Push Button Locations

Table 2-7. Programmable Flag Switches

Processor Programmable Flag Pin	Push Button Reference Designator
PF8	SW4
PF9	SW5
PF10	SW6
PF11	SW7

Reset Push Button (SW8)

The RESET push button resets all of the ICs on the board. One exception is the USB interface chip (U34). The chip is not being reset when the push button is pressed after the USB cable has been plugged in, and communi-

cation has been correctly initialized with the PC. After USB communication has been initialized, the only way to reset the USB is by powering down the board.

Power LED (LED1)

When LED1 is lit (green), it indicates that power is being supplied to the board properly.

Reset LED (LED2)

When LED2 is lit, it indicates that the master reset of all the major ICs is active.

User LEDs (LED4–9)

Six LEDs connect to six general-purpose IO pins of the flash memory (U5). The LEDs are active high and are lit by writing a 1 to the correct memory address in the flash memory. Refer to [“LEDs and Push Buttons” on page 1-15](#) for information on how to use the flash when programming the LEDs.

Table 2-8. User LEDs

LED Reference Designator	Flash Port Name
LED4	PB0
LED5	PB1
LED6	PB2
LED7	PB3
LED8	PB4
LED9	PB5

USB Monitor LED (ZLED3)

The USB monitor LED (ZLED3) indicates that USB communication has been initialized successfully and you can connect to the processor using a VisualDSP++ EZ-KIT Lite session. This should take approximately 15 seconds. If the LED does not light, try cycling power on the board and/or reinstalling the USB driver.



When VisualDSP++ is actively communicating with the EZ-KIT Lite target board, the LED can flicker, indicating communications handshake.

Connectors

This section describes the connector functionality and provides information about mating connectors. The connector locations are shown in [Figure 2-4](#).

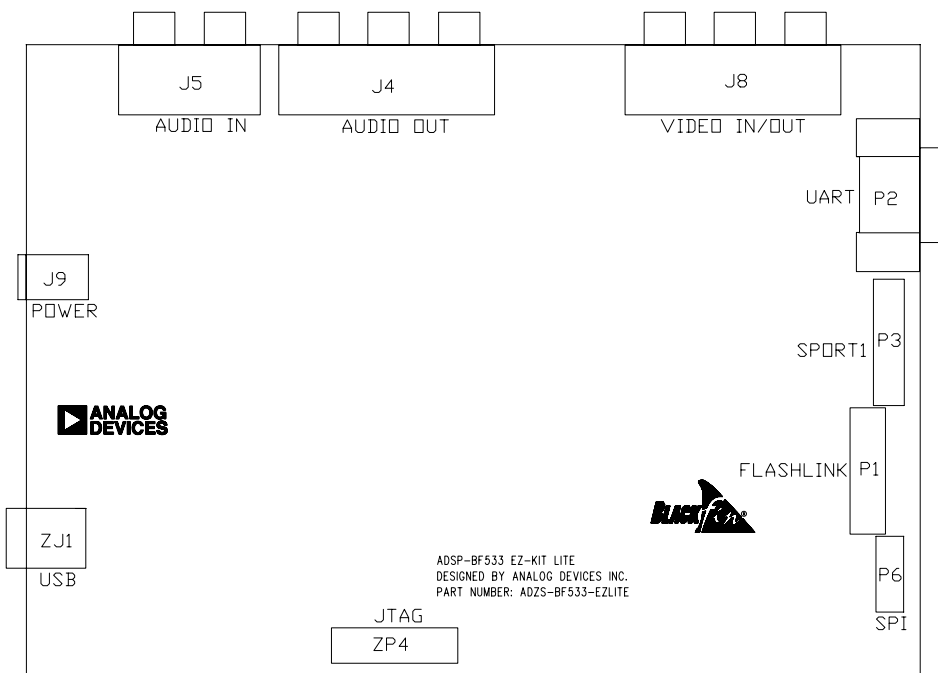


Figure 2-4. Connector Locations

Expansion Interface (J1–3)

Three board-to-board connector footprints provide signals for most of the processor’s peripheral interfaces. The connectors are located at the bottom of the board. For more information about the expansion interface, see [“Expansion Interface” on page 2-8](#). For the availability and pricing of the J1, J2, and J3 connectors, contact Samtec.

Connectors

Part Description	Manufacturer	Part Number
90-position 0.05" spacing, SMT (J1, J2, J3)	SAMTEC	SFC-145-T2-F-D-A
Mating Connectors		
90-position 0.05" spacing (through hole)	SAMTEC	TFM-145-x1 series
90-position 0.05" spacing (surface mount)	SAMTEC	TFM-145-x2 series
90-position 0.05" spacing (low cost)	SAMTEC	TFC-145 series

Audio (J4 and J5)

Part Description	Manufacturer	Part Number
2x2 RCA jacks (J5)	SWITCHCRAFT	PJRS2X2S01
3x2 RCA jacks (J4)	SWITCHCRAFT	PJRS3X2S01
Mating Connector		
Two channel RCA interconnect cable	MONSTER CABLE	BI100-1M

Video (J8)

Part Description	Manufacturer	Part Number
3x2 RCA jacks (J8)	SWITCHCRAFT	PJRS3X2S01

Power (J9)

The power connector provides all of the power necessary to operate the EZ-KIT Lite board. The following table shows the power connector pinout.

Part Description	Manufacturer	Part Number
2.5 mm power jack (J9)	SWITCHCRAFT	RAPC712
	DIGI-KEY	RAPC712X-ND
Mating Power Supply (shipped with EZ-KIT Lite)		
7.5V power supply	GLOBTEK	TR9CC2000LCP-Y

The power connector supplies DC power to the EZ-KIT Lite board. [Table 2-9](#) shows the power supply specifications.

Table 2-9. Power Supply Specifications

Terminal	Connection
Center pin	+7.5 VDC@2amps
Outer ring	GND

FlashLINK (P1)

The FlashLINK connector allows you to configure and program the STMicroelectronics DSM2150 flash/PLD chip. See [“Configuring Flash Memory” on page 1-14](#) for more information about the FlashLINK connector.

Part Description	Manufacturer	Part Number
Right-angle 7X2 shrouded 0.1” spacing (P1)	FCI	68737-414HLF
Mating Assembly		
FlashLINK JTAG programmer	ST MICRO	FL-101B

Connectors

RS-232 (P2)

The RS-232 compatible connector is described in [Table 2-10](#).

Table 2-10. RS-232 Connector

Part Description	Manufacturer	Part Number
DB9, male, right angle (P2)	TYCO	5747250-4
Mating Assembly		
2m female-to-female cable	DIGI-KEY	AE1016-ND



SPORT1 (P3)

The SPORT1 connector is linked to a 20-pin connector. The connector's pinout can be found in "[ADSP-BF533 EZ-KIT Lite Schematic](#)" on [page B-1](#). For the flash (U5) connector pricing and availability, contact AMP.

Part Description	Manufacturer	Part Number
20-pin IDC header	FCI	68737-420HLF
Mating Connector		
IDC socket	DIGI-KEY	S4210-ND

JTAG (ZP4)

The JTAG header is the connecting point for a JTAG in-circuit emulator pod. When an emulator connects to the JTAG header, the USB debug interface is disabled.

-  Pin 3 is missing to provide keying. Pin 3 in the mating connector should have a plug.
-  When using an emulator with the EZ-KIT Lite board, follow the connection instructions provided with the emulator.

Part Description	Manufacturer	Part Number
14-pin IDC header	FCI	68737-414HLF

SPI (P6)

The SPI connector is linked to a 12-pin connector. The connector's pinout can be found in [“ADSP-BF533 EZ-KIT Lite Schematic”](#) on [page B-1](#).

Part Description	Manufacturer	Part Number
IDC header	FCI	68737-412HLF
Mating Assembly		
IDC socket	DIGI-KEY	S4207-ND

Connectors

A ADSP-BF533 EZ-KIT LITE BILL OF MATERIALS

The bill of materials corresponds to “[ADSP-BF533 EZ-KIT Lite Schematic](#)” on page B-1. Please check the latest schematic on the Analog Devices Web site:

<http://www.analog.com/Processors/Processors/DevelopmentTools/technicalLibrary/manuals/DevToolsIndex.html#Evaluation%20Kit%20Manuals>.

Ref.	Qty.	Description	Reference Designator	Manufacturer	Part Number
1	2	74LVC14A SOIC14	U10,U33	TI	74LVC14AD
2	1	IDT74FCT32 44APY SSOP20	U31	IDT	IDT74FCT3244APYG
3	1	IDT74FCT38 07AQ QSOP20	U4	IDT	IDT74FCT3807AQQ
4	1	SN74AHC1G 00 SOT23-5	U9	TI	SN74AHC1G00DBVR
5	1	12.288MHZ OSC003	U11	DIGI-KEY	SG-8002CA-PCC-ND (12.288M)
6	1	SN74LVC1G1 25 SOT23-5	U7	TI	74LVC1G125DBVRE4
7	1	MT48LC32M 16A2TG-75 TSOP54	U8	MICRON	MT48LC32M16A2P-75

Ref.	Qty.	Description	Reference Designator	Manufacturer	Part Number
8	2	27MHZ OSC003	U3,U36	DIGI-KEY	SG-8002CA-PCC-ND (27.00M)
9	1	32.768KHZ OSC008	U2	EPSON	MC-156-32.7680KA-A0: ROHS
10	1	IDT2305-1D C SOIC8	U46	IDT	IDT2305-1DCG
11	1	SN74LVC1G3 2 SOT23-5	U21	TI	SN74LVC1G32DBVRE4
12	1	BF533 PSD4256G6V "U5"	U5	ST MICRO	PSD4256G6V-10UI
13	1	BF533 PSD4256G6V "U6"	U6	ST MICRO	BF533 PSD4256G6V "U5"
14	1	FDS9431A SOIC8	U32	FAIRCHILD	FDS9431A
15	1	FDC658P SOT23-6	U34	FAIRCHILD	FDC658P
16	1	ADM708SAR Z SOIC8	U29	ANALOG DEVICES	ADM708SARZ
17	1	ADP3338AKC Z-33 SOT-223	VR1	ANALOG DEVICES	ADP3338AKCZ-3.3-RL
18	1	ADP3339AKC Z-5 SOT-223	VR5	ANALOG DEVICES	ADP3339AKCZ-5-R7
19	1	ADP3339AKC Z-33 SOT-223	VR3	ANALOG DEVICES	ADP3339AKCZ-3.3-R7
20	2	ADP3336AR MZ MSOP8	VR2,VR6	ANALOG DEVICES	ADP3336ARMZ-REEL
21	1	ADV7171KSU Z TQFP44	U27	ANALOG DEVICES	ADV7171KSUZ

ADSP-BF533 EZ-KIT Life Bill Of Materials

Ref.	Qty.	Description	Reference Designator	Manufacturer	Part Number
22	1	10MA AD1580BRTZ SOT23D	D1	ANALOG DEVICES	AD1580BRTZ-REEL7
23	2	ADG752BRT Z SOT23-6	U25-26	ANALOG DEVICES	ADG752BRTZ-REEL
24	3	AD8061ARTZ SOT23-5	U22-24	ANALOG DEVICES	AD8061ARTZ-R2
25	1	ADM3202AR NZ SOIC16	U30	ANALOG DEVICES	ADM3202ARNZ
26	8	AD8606ARZ SOIC8	U12-13,U15-20	ANALOG DEVICES	AD8606ARZ
27	1	AD1836AASZ MQFP52	U14	ANALOG DEVICES	AD1836AASZ
28	1	ADV7183BKS TZ LQFP80	U28	ANALOG DEVICES	ADV7183BKSTZ
29	1	ADSP-BF533- 600 MINIBGA160	U1	ANALOG DEVICES	ADSP-BF533SKBCZ600
30	1	ADP1864 SOT23-6	VR4	ANALOG DEVICES	ADP1864AUJZ-R7
31	5	RUBBER FOOT	M1-5	MOUSER	517-SJ-5018BK
32	1	PWR 2.5MM_JACK CON005	J9	SWITCH- CRAFT	RAPC712X
33	1	RCA 2X2 CON013	J5	SWITCH- CRAFT	PJRS2X2S01X
34	5	MOMEN- TARY SWT013	SW4-8	PANASONIC	EVQ-PAD04M
35	3	.05 45X2 CON019	J1-3	SAMTEC	SFC-145-T2-F-D-A

Ref.	Qty.	Description	Reference Designator	Manufacturer	Part Number
36	4	DIP6SWT017	SW1-3,SW9	CTS	218-6LPST
37	2	RCA 3X2 CON024	J4,J8	SWITCH- CRAFT	PJRAS3X2S01X
38	1	DIP4SWT018	SW12	ITT	TDA04HOSB1
39	2	DIP2SWT020	SW10-11	C&K	TDA02HOSB1
40	1	IDC 2X1 IDC2X1	JP4	FCI	90726-402HLF
41	2	IDC 7X2 IDC7X2	P1,ZP4	FCI	68737-414HLF
42	1	IDC 10X2 IDC10X2	P3	FCI	68737-420HLF
43	1	2.5A RESETABLE FUS001	F1	RAYCHEM	SMD250F-2
44	1	IDC 2PIN_JUMPE R_SHORT	SJ1	DIGI-KEY	S9001-ND
45	1	DB9 9PIN DB9M	P2	TYCO	5747250-4
46	1	IDC 6X2 IDC6X2	P6	FCI	68737-412HLF
47	14	0 1/4W 5% 1206	R27-30,R148, R157-158,R167, R174-175, R177-178,R182, R193	KOA	0.0ECTRk7372BTTED
48	6	YELLOW LED001	LED4-9	PANASONIC	LN1461C
49	12	330PF 50V 5% 0805	C13,C18,C23,C28, C33,C38,C67-70, C73-74	AVX	08055A331JAT

ADSP-BF533 EZ-KIT Lite Bill Of Materials

Ref.	Qty.	Description	Reference Designator	Manufacturer	Part Number
50	42	0.01UF 100V 10% 0805	C82,C85,C87, C108,C112-113, C123-124, C126-128,C136, C146-147, C149-155,C159, C161,C163, C165-169, C171-174,C181, C183,C188,C190, C194,C196,C201, C204,C208	AVX	08051C103KAT2A
51	8	0.22UF 25V 10% 0805	C129-130, C137-142	AVX	08053C224FAT
52	58	0.1UF 50V 10% 0805	C2,C6,C8,C71-72, C75-81,C84,C86, C88-95,C98-100, C105,C109-111, C119,C125,C132, C143-145,C148, C156-158, C175-180,C182, C184-187,C189, C191-193,C195, C197,C209-210	AVX	08055C104KAT
53	8	1000PF 50V 5% 0805	C7,C9-11,C49-50, C52-53	AVX	08055A102JAT2A
54	6	10UF 16V 10% C	CT13,CT21-25	AVX	TAJ106K016R

Ref.	Qty.	Description	Reference Designator	Manufacturer	Part Number
55	32	10K 1/10W 5% 0805	R1-2,R4,R10, R12-13,R15-16, R18,R26,R32-33, R106-108,R128, R138-139, R142-143,R145, R150-151,R153, R156,R166, R172-173,R192, R214,R225,R232	VISHAY	CRCW080510K0JNEA
56	10	33 1/10W 5% 0805	R5-9,R31,R144, R179,R183,R224	VISHAY	CRCW080533R0JNEA
57	1	4.7K 1/10W 5% 0805	R17	VISHAY	CRCW08054K70JNEA
58	1	1.5K 1/10W 5% 0805	R140	VISHAY	CRCW08051K50FKEA
59	1	1.2K 1/8W 5% 1206	R129	VISHAY	CRCW12061K20JNEA
60	6	49.9K 1/8W 1% 1206	R38,R45,R54,R62, R70,R78	VISHAY	CRCW120649K9FKEA
61	12	100PF 100V 5% 1206	C15,C20,C25,C30, C35,C40,C46-48, C51,C54,C56	AVX	12061A101JAT2A
62	1	2.2UF 35V 10% B	CT27	AVX	TAJB225K035R
63	5	10UF 16V 10% B	CT1-2,CT14-16	AVX	TAJB106K016R
64	4	100 1/10W 5% 0805	R149,R152, R154-155	VISHAY	CRCW0805100RJNEA
65	6	220PF 50V 10% 1206	C16,C21,C26,C31, C36,C41	AVX	12061A221JAT2A
66	4	600 100MHZ 200MA 0603	FER14-17	DIGI-KEY	490-1014-2-ND

ADSP-BF533 EZ-KIT Life Bill Of Materials

Ref.	Qty.	Description	Reference Designator	Manufacturer	Part Number
67	3	2A S2A DO-214AA	D2-4	VISHAY	S2A-E3
68	15	600 100MHZ 500MA 1206	FER1-4,FER8-13, FER18-22	STEWART	HZ1206B601R-10
69	4	237.0 1/8W 1% 1206	R93,R95,R97,R99	VISHAY	CRCW1206237RFKEA
70	4	750.0K 1/8W 1% 1206	R86,R90,R94,R96	VISHAY	CRCW1206750KFKEA
71	16	5.76K 1/8W 1% 1206	R82-85,R87-89, R91-92,R98, R100-105	VISHAY	CRCW12065K76FKEA
72	6	11.0K 1/8W 1% 1206	R34,R48,R50,R58, R66,R74	VISHAY	CRCW120611K0FKEA
73	8	120PF 50V 5% 1206	C42-45,C55, C57-59	AVX	12065A121JAT2A
74	1	1UF 16V 10% 0805	C5	PANASONIC	ECJ2FB1E105K
75	12	75 1/8W 5% 1206	R113-114, R116-117, R120-121, R123-124,R127, R133-134,R137	VISHAY	CRCW120675R0JNEA
76	1	68UF 6.3V 20% D	CT28	AVX	TAJD686K016R
77	1	340.0K 1/8W 1% 0805	R185	VISHAY	CRCW0805-3403FRT1E3
78	6	680PF 50V 1% 0805	C14,C19,C24,C29, C34,C39	AVX	08055A681FAT2A
79	3	10UF 25V +80-20% 1210	C198-200	PANASONIC	ECJ4YF1E106Z
80	6	2.74K 1/8W 1% 1206	R41,R47,R57,R65, R73,R81	VISHAY	CRCW12062K74FKEA

Ref.	Qty.	Description	Reference Designator	Manufacturer	Part Number
81	12	5.49K 1/8W 1% 1206	R35,R40,R42,R49, R51,R56,R59,R64, R67,R72,R75,R80	VISHAY	CRCW12065K49FKEA
82	6	3.32K 1/8W 1% 1206	R36,R43,R52,R60, R68,R76	VISHAY	CRCW12063K32FKEA
83	6	1.65K 1/8W 1% 1206	R37,R44,R53,R61, R69,R77	VISHAY	CRCW12061K65FKEA
84	10	10UF 16V 20% CAP002	CT3-12	PANASONIC	EEE1CA100SR
85	1	4A SSB43L DO-214AA	D6	VISHAY	SSB43L
86	1	10UH 20% IND001	L12	TDK	445-2014-1-ND
87	2	10K 50MW 5% BGA36	RN1-2	CTS	RT230B7TR7
88	25	0 1/10W 5% 0805	R3,R19,R21-25, R110-111,R132, R135-136,R141, R169,R186-188, R194,R210-211, R222,R226-228, R231	VISHAY	CRCW08050000Z0EA
89	1	190 100MHZ 5A FER002	FER23	MURATA	DLW5BSN191SQ2
90	1	3.32K 1/10W 1% 0805	R223	PANASONIC	ERJ-6ENF3321V
91	4	22 1/10W 5% 0805	R14,R109, R180-181	VISHAY	CRCW080522R0JNEA
92	6	0.68UH 10% 0805	L4-9	MURATA	LQM21NNR68K10D
93	1	.082UF 50V 5% 0805	C83	AVX	08055C823JAT2A

ADSP-BF533 EZ-KIT Life Bill Of Materials

Ref.	Qty.	Description	Reference Designator	Manufacturer	Part Number
94	1	1A ZHCS1000 SOT23-312	D5	ZETEX	ZHCS1000TA pb-free
95	3	2.2UH 10% 0805	L1-3	DIGI-KEY	490-1119-2-ND
96	6	1UF 10V 10% 0805	C4,C60-61, C102-104	AVX	0805ZC105KAT2A
97	2	18PF 50V 5% 0805	C1,C3	AVX	08055A180JAT2A
98	1	10M 1/8W 5% 0805	R20	VISHAY	CRCW080510M0JMEA
99	1	64.9K 1/10W 1% 0805	R184	VISHAY	CRCW080564K9FKEA
100	1	76.8K 1/10W 1% 1206	R190	VISHAY	CRCW120676K8FKEA
101	1	147.0K 1/10W 1% 1206	R191	VISHAY	CRCW1206147KFKEA
102	1	68PF 50V 5% 0603	C64	AVX	06035A680JAT2A
103	1	470PF 50V 5% 0603	C63	AVX	06033A471JAT2A
104	1	0 1/10W 5% 0603	R159	PHYCOMP	232270296001L
105	1	24.9K 1/10W 1% 0603	R11	DIGI-KEY	311-24.9KHTR-ND
106	1	47UF 6.3V 10% B	CT26	PANASONIC	EEE0JA470WR
107	1	0.05 1/2W 1% 1206	R165	SUSUMU	PRL1632-R051-F-T1
108	1	10UF 16V 10% 1210	C65	AVX	1210YD106KAT2A

Ref.	Qty.	Description	Reference Designator	Manufacturer	Part Number
109	1	680 1/8W 5% 1206	R163	VISHAY	CRCW1206680RFNEA
110	1	150.0 1/8W 1% 1206	R122	VISHAY	CRCW1206150RFKEA
111	1	GREEN LED001	LED1	PANASONIC	LN1361CTR
112	1	REDLED001	LED2	PANASONIC	LN1261CTR
113	2	1000PF 50V 5% 1206	C96-97	AVX	12065A102JAT2A
114	6	2200PF 50V 5% 1206	C12,C17,C22,C27, C32,C37	AVX	12065A222JAT050
115	6	1K 1/8W 5% 1206	R115,R118-119, R125-126,R131	VISHAY	CRCW12061K00FNEA
116	3	100K 1/8W 5% 1206	R112,R130,R176	VISHAY	CRCW1206100KFKEA
117	7	270 1/8W 5% 1206	R146-147, R160-162,R164, R168	VISHAY	CRCW1206270RJNEA
118	6	604.0 1/8W 1% 1206	R39,R46,R55,R63, R71,R79	PANASONIC	ERJ-8ENF6040V
119	4	1UF 25V 20% A	CT17-20	AVX	TAJA105K020R
120	1	255.0K 1/10W 1% 0603	R171	VISHAY	CRCW06032553FK
121	1	80.6K 1/10W 1% 0603	R170	DIGI-KEY	311-80.6KHRCT-ND
122	1	6.8UH 25% IND009	L10	DIGI-KEY	308-1328-1-ND

A

B

C

D

1

1

2

2

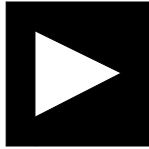
3

3

4

4

ADSP-BF533 EZ-KIT Lite

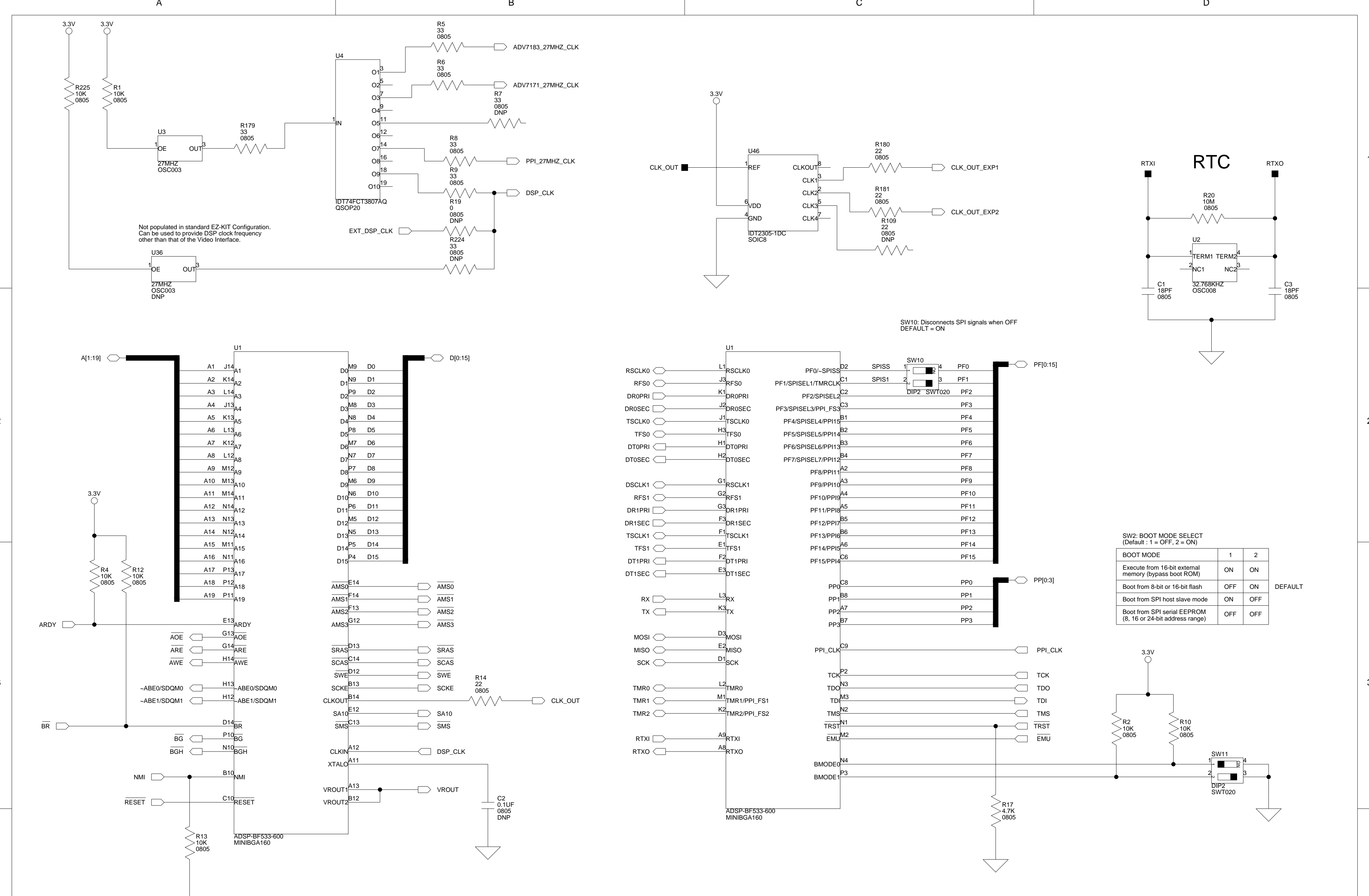
		ANALOG DEVICES	20 Cotton Road Nashua, NH 03063 PH: 1-800-ANALOGD
Title		ADSP-BF533 EZ-KIT LITE TITLE	
Size C	Board No.	A0167-2001	Rev 2.1
Date	5-31-2006_10:26	Sheet	1 of 12

A

B

C

D



SW2: BOOT MODE SELECT
(Default : 1 = OFF, 2 = ON)

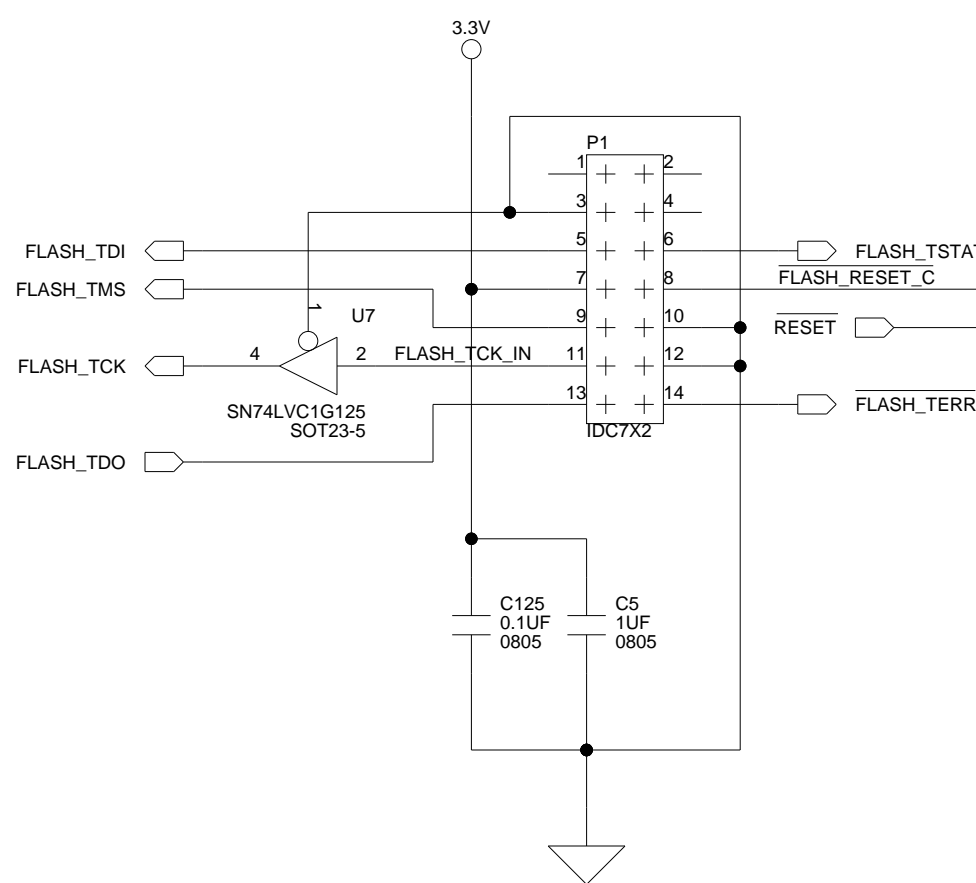
BOOT MODE	1	2	
Execute from 16-bit external memory (bypass boot ROM)	ON	ON	
Boot from 8-bit or 16-bit flash	OFF	ON	DEFAULT
Boot from SPI host slave mode	ON	OFF	
Boot from SPI serial EEPROM (8, 16 or 24-bit address range)	OFF	OFF	

ANALOG DEVICES

20 Cotton Road
Nashua, NH 03063
PH: 1-800-ANALOGD

Title			ADSP-BF533 EZ-KIT LITE DSP		
Size C	Board No.	A0167-2001			Rev 2.1
Date	6-26-2006_13:14		Sheet	2 of 12	

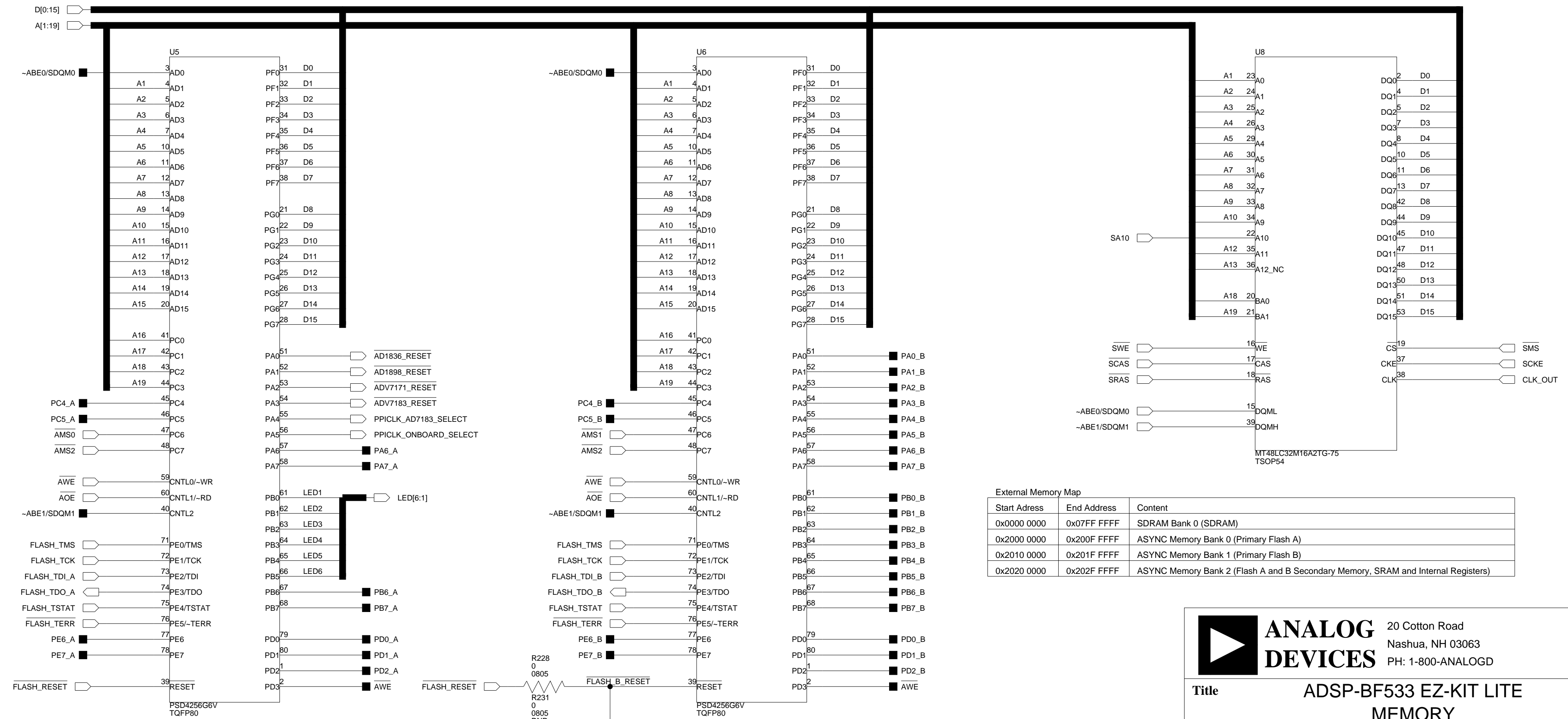
FlashLINK JTAG HEADER



FLASH A (1MB)
512K x 16

FLASH B (1MB)
512K x 16

SDRAM 512Mb
(64MB - 32M x 16)



External Memory Map

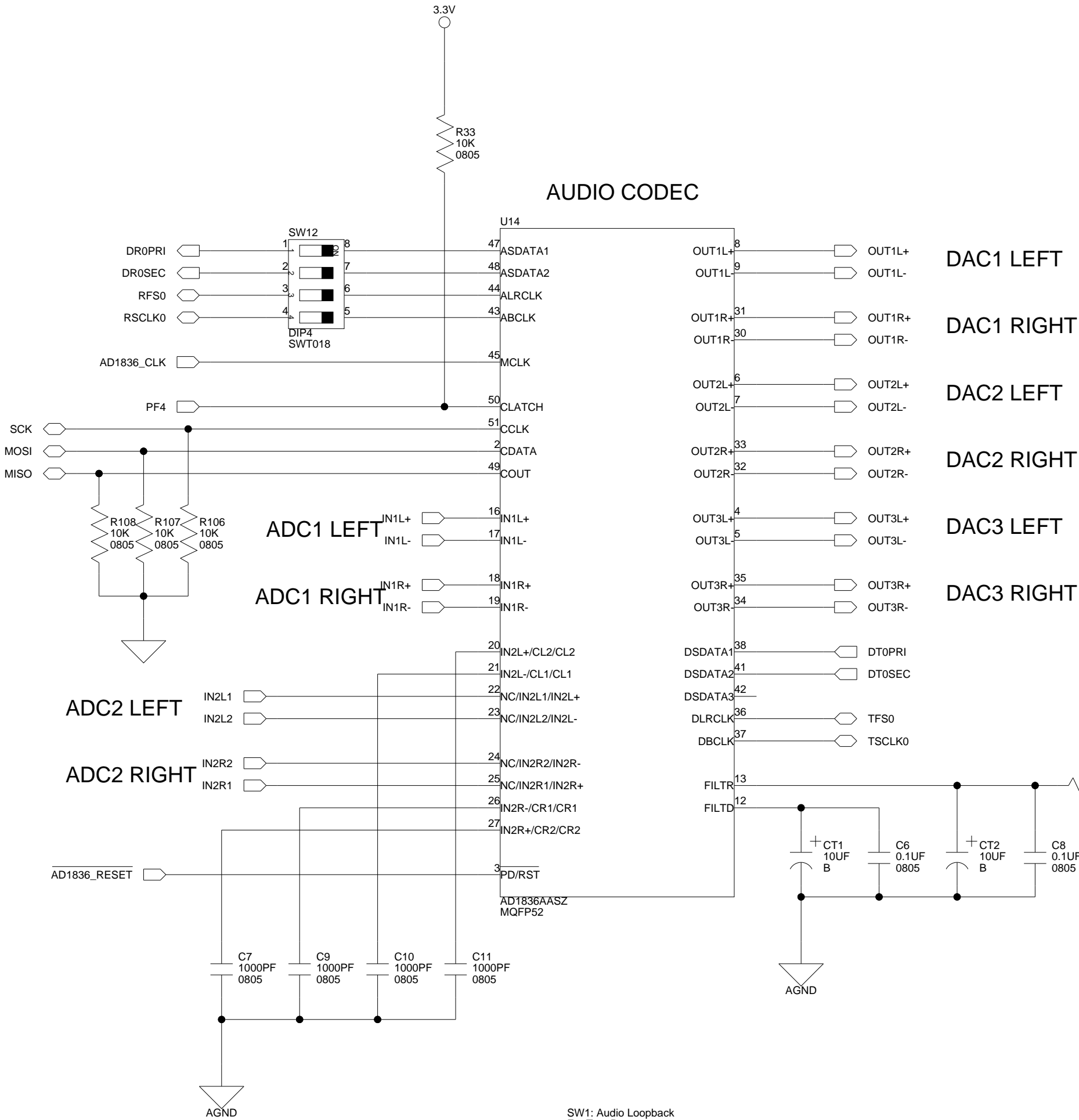
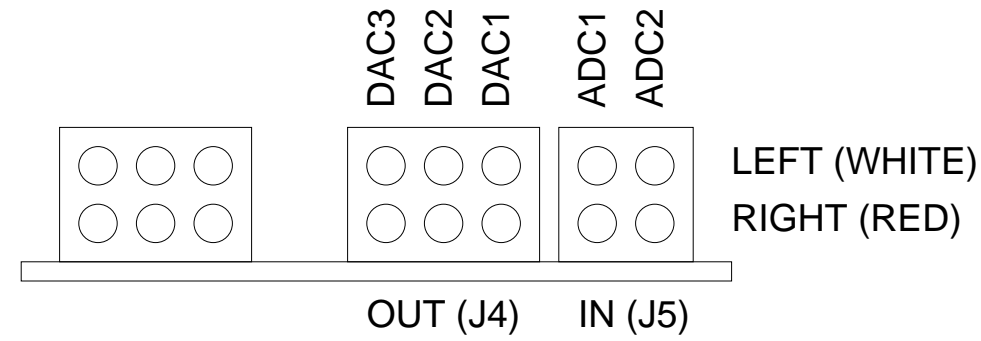
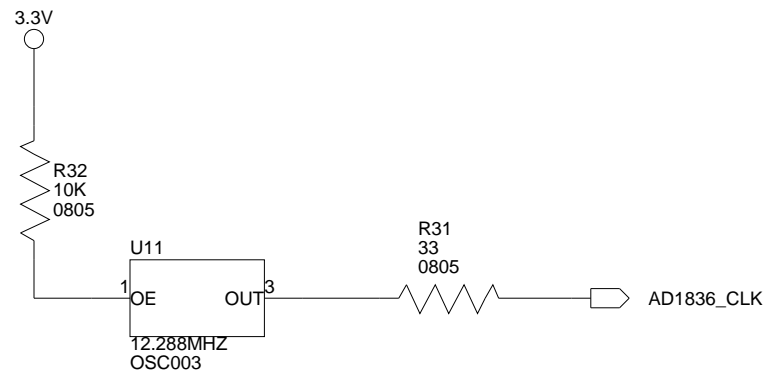
Start Address	End Address	Content
0x0000 0000	0x07FF FFFF	SDRAM Bank 0 (SDRAM)
0x2000 0000	0x200F FFFF	ASYNCR Memory Bank 0 (Primary Flash A)
0x2010 0000	0x201F FFFF	ASYNCR Memory Bank 1 (Primary Flash B)
0x2020 0000	0x202F FFFF	ASYNCR Memory Bank 2 (Flash A and B Secondary Memory, SRAM and Internal Registers)

ANALOG DEVICES

20 Cotton Road
Nashua, NH 03063
PH: 1-800-ANALOGD

Title ADSP-BF533 EZ-KIT LITE
MEMORY

Size C	Board No. A0167-2001	Rev 2.1
Date	6-20-2006_14:35	Sheet 3 of 12



AUDIO CODEC

ADC1 LEFT

ADC1 RIGHT

ADC2 LEFT

ADC2 RIGHT

DAC1 LEFT

DAC1 RIGHT

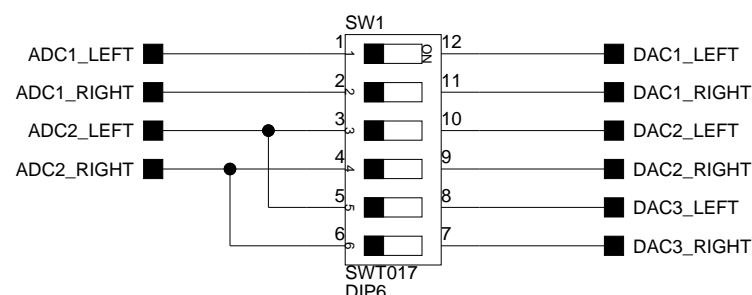
DAC2 LEFT

DAC2 RIGHT

DAC3 LEFT

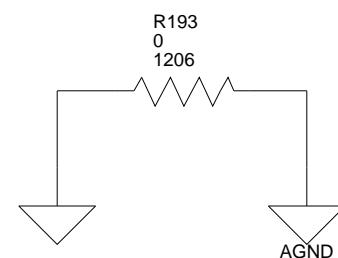
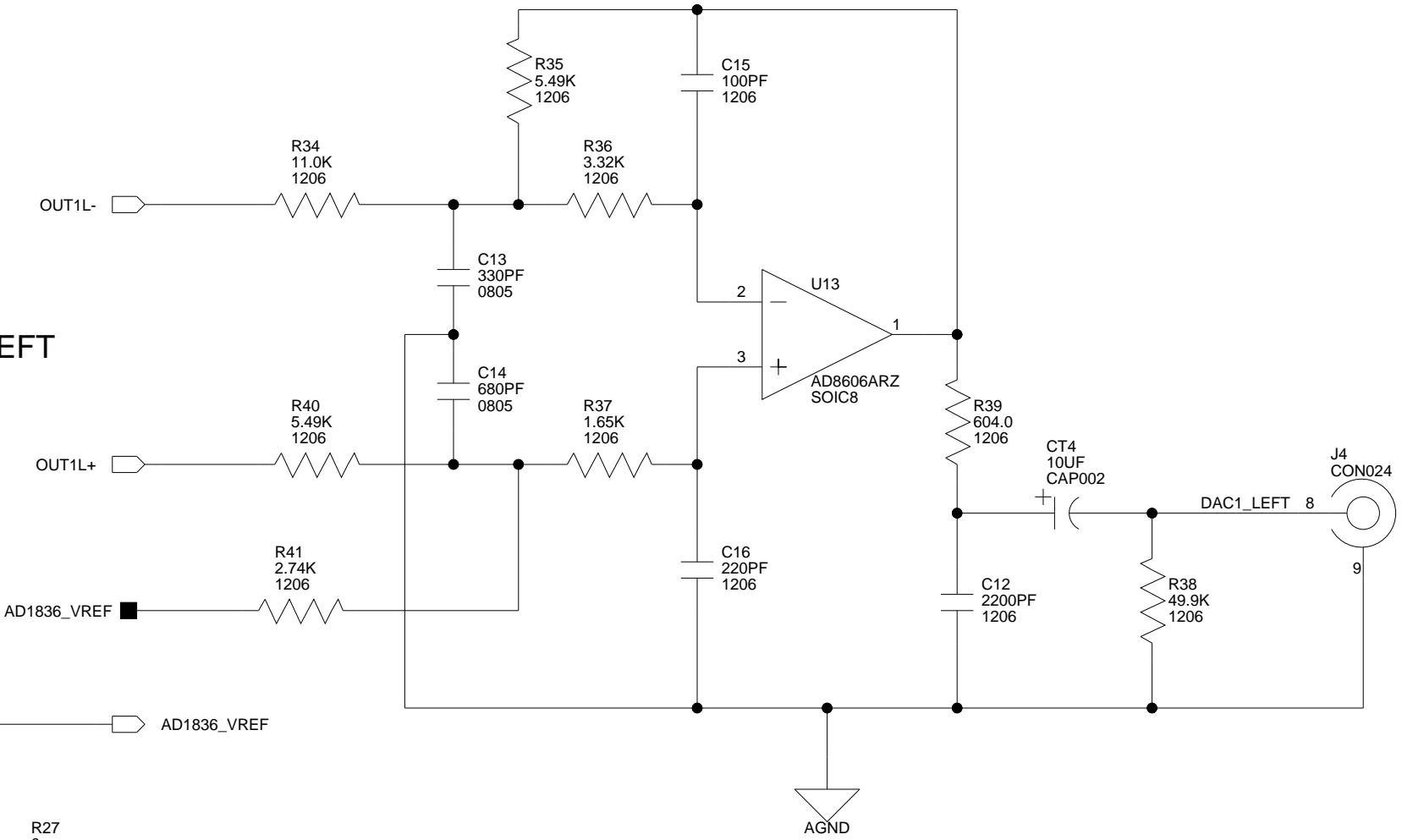
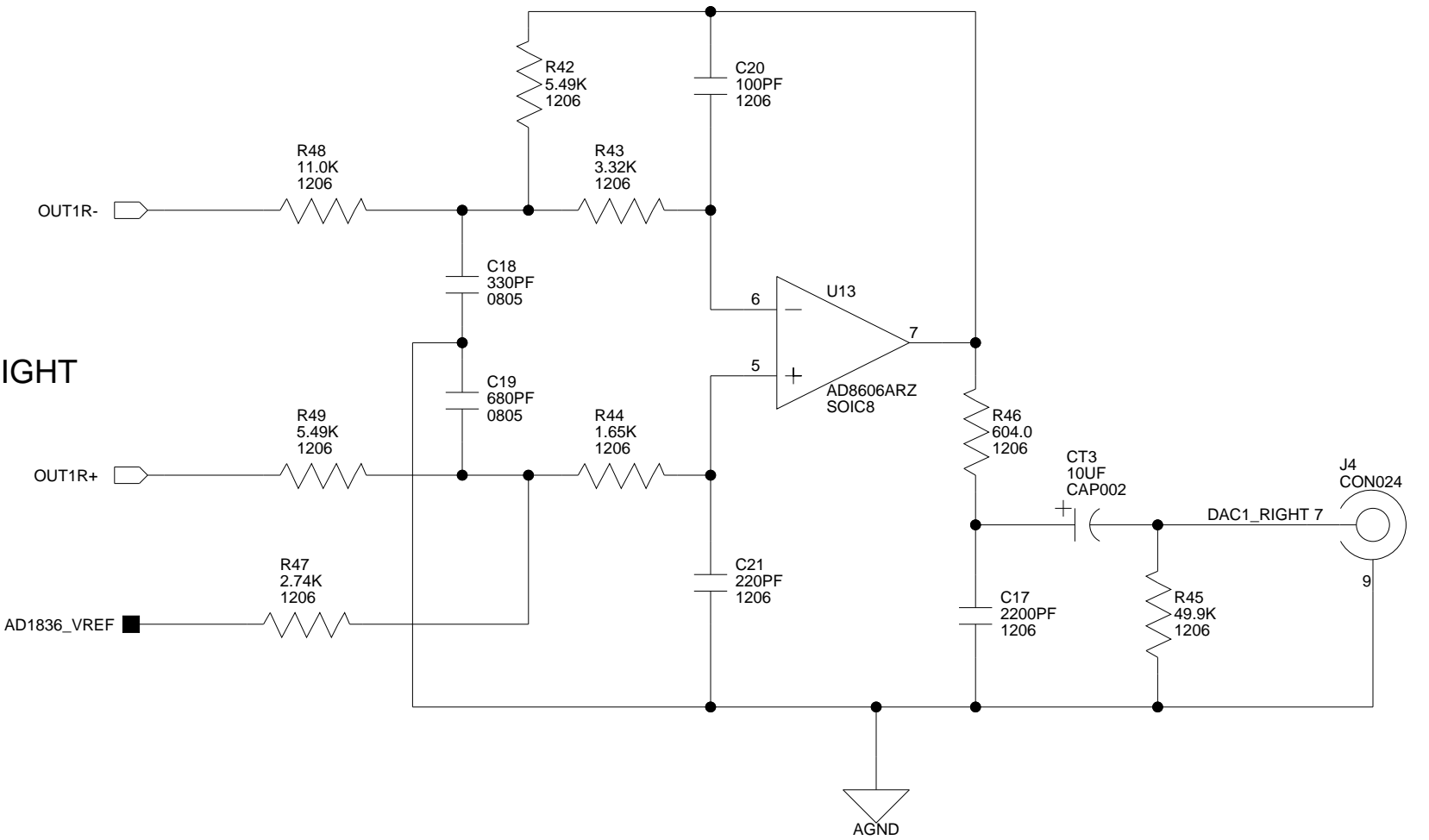
DAC3 RIGHT

SW1: Audio Loopback For Test Purposes Default = All Off



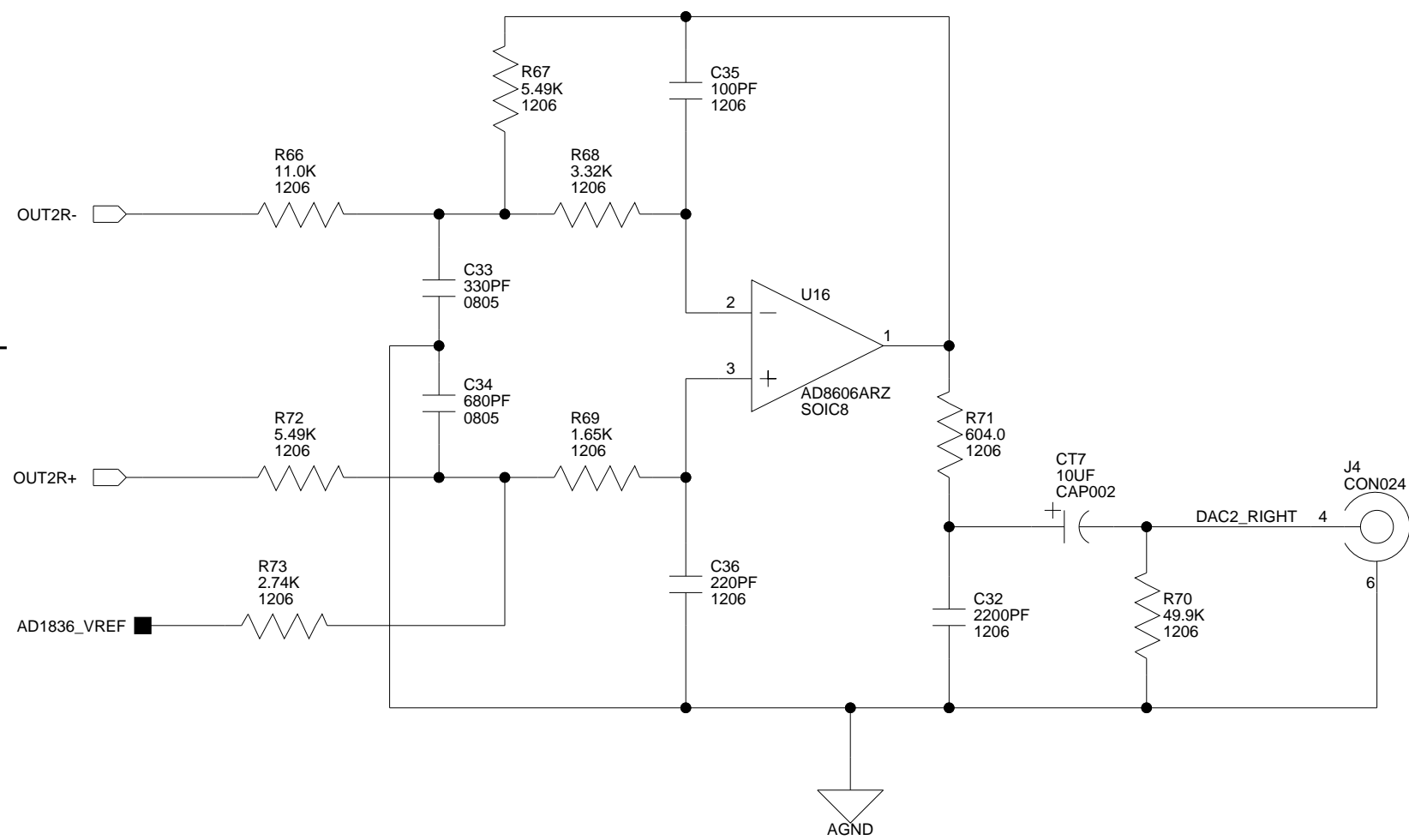
DAC1 RIGHT

DAC1 LEFT

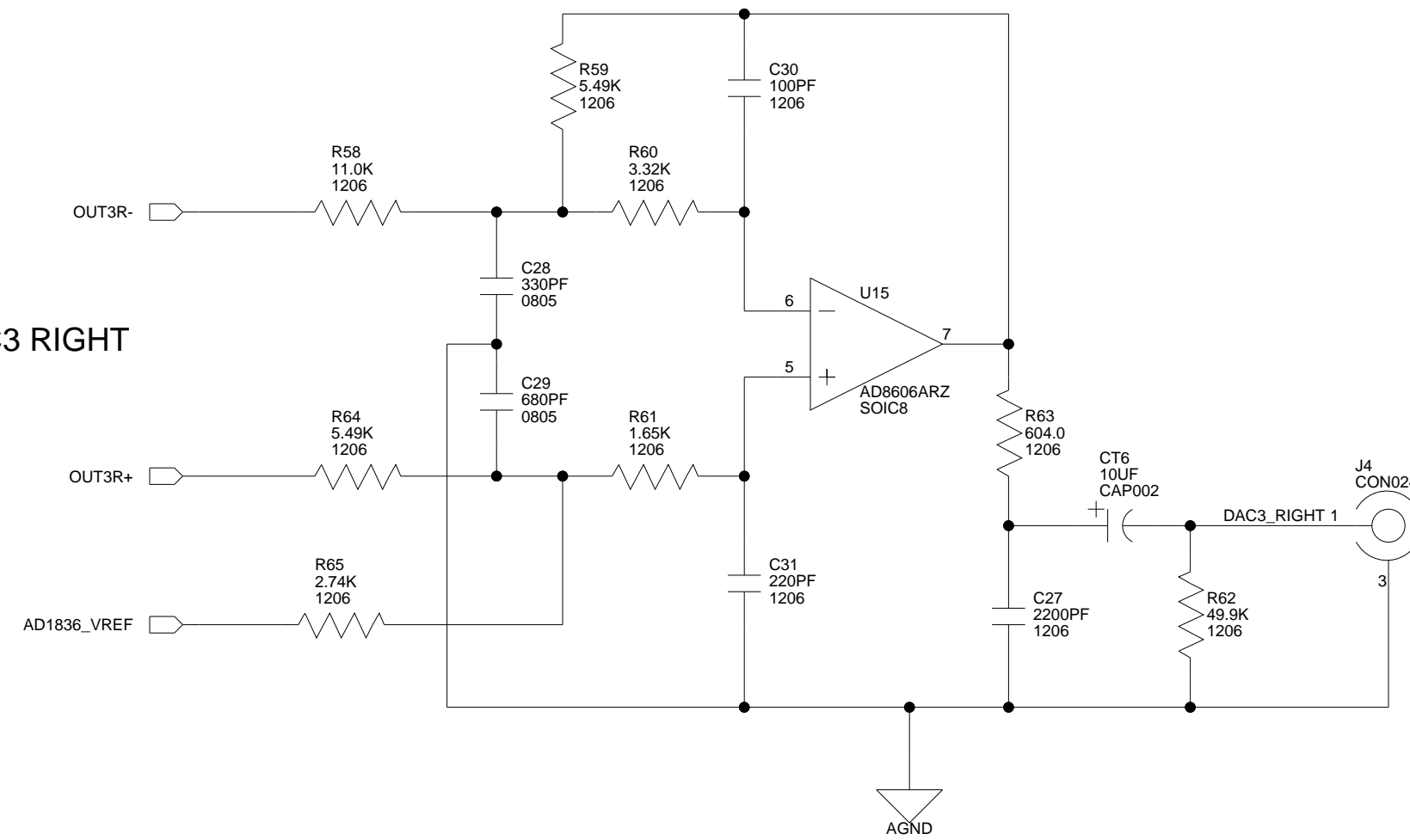


		20 Cotton Road Nashua, NH 03063 PH: 1-800-ANALOGD	
		Title ADSP-BF533 EZ-KIT LITE AUDIO CODEC	
Size C	Board No. A0167-2001	Rev 2.1	
Date 5-31-2006_10:26	Sheet 4 of 12		

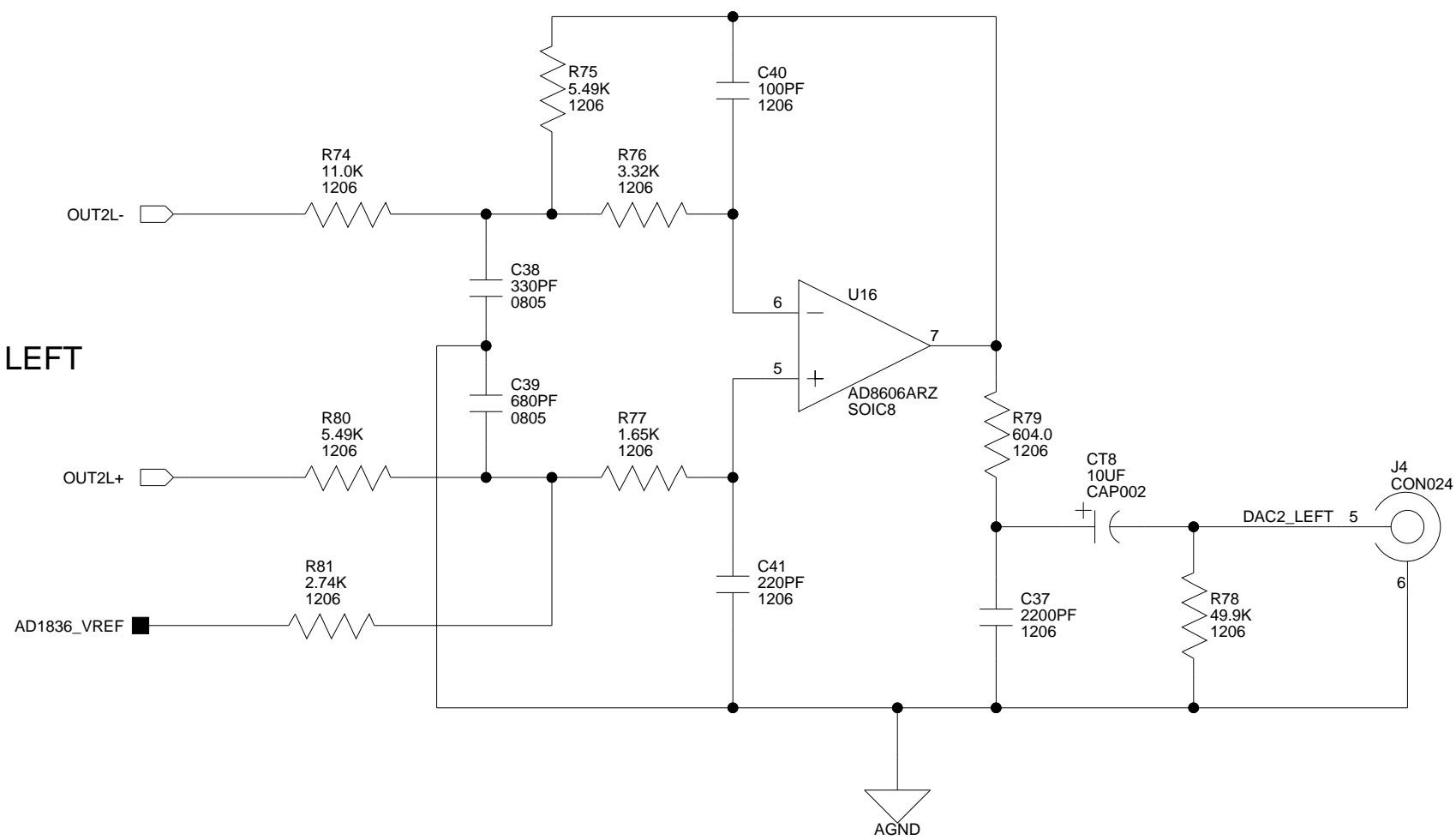
DAC2 RIGHT



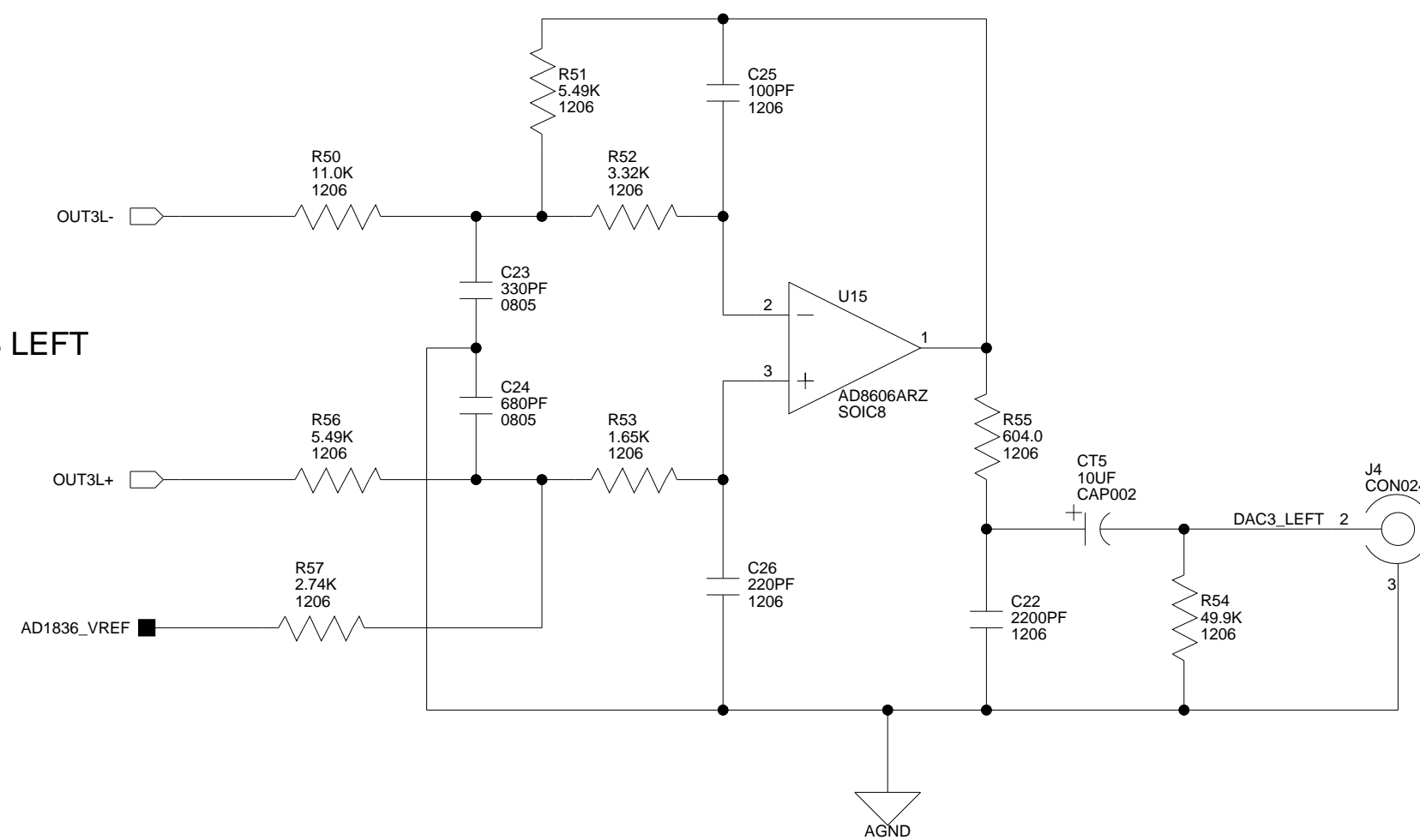
DAC3 RIGHT

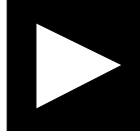


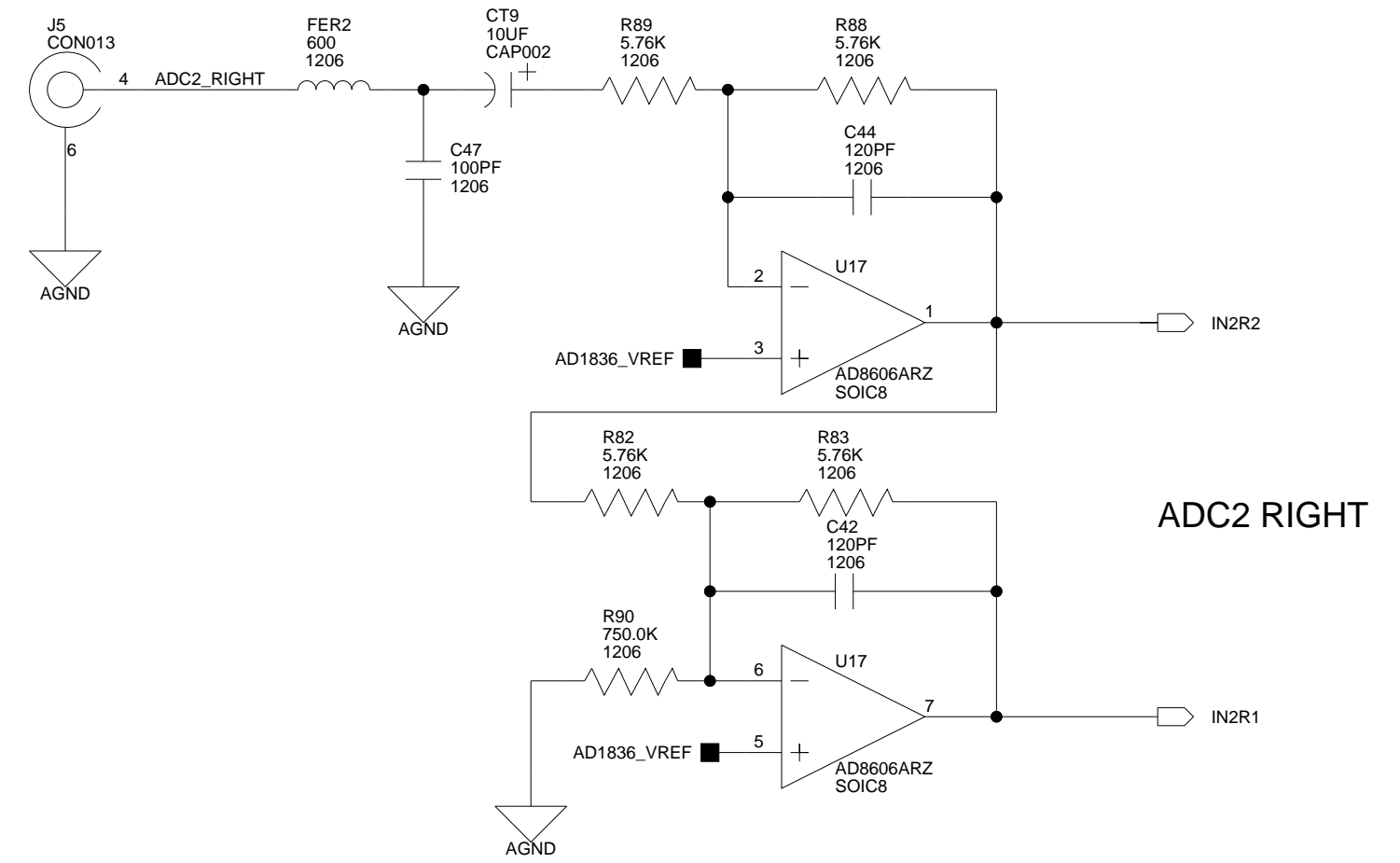
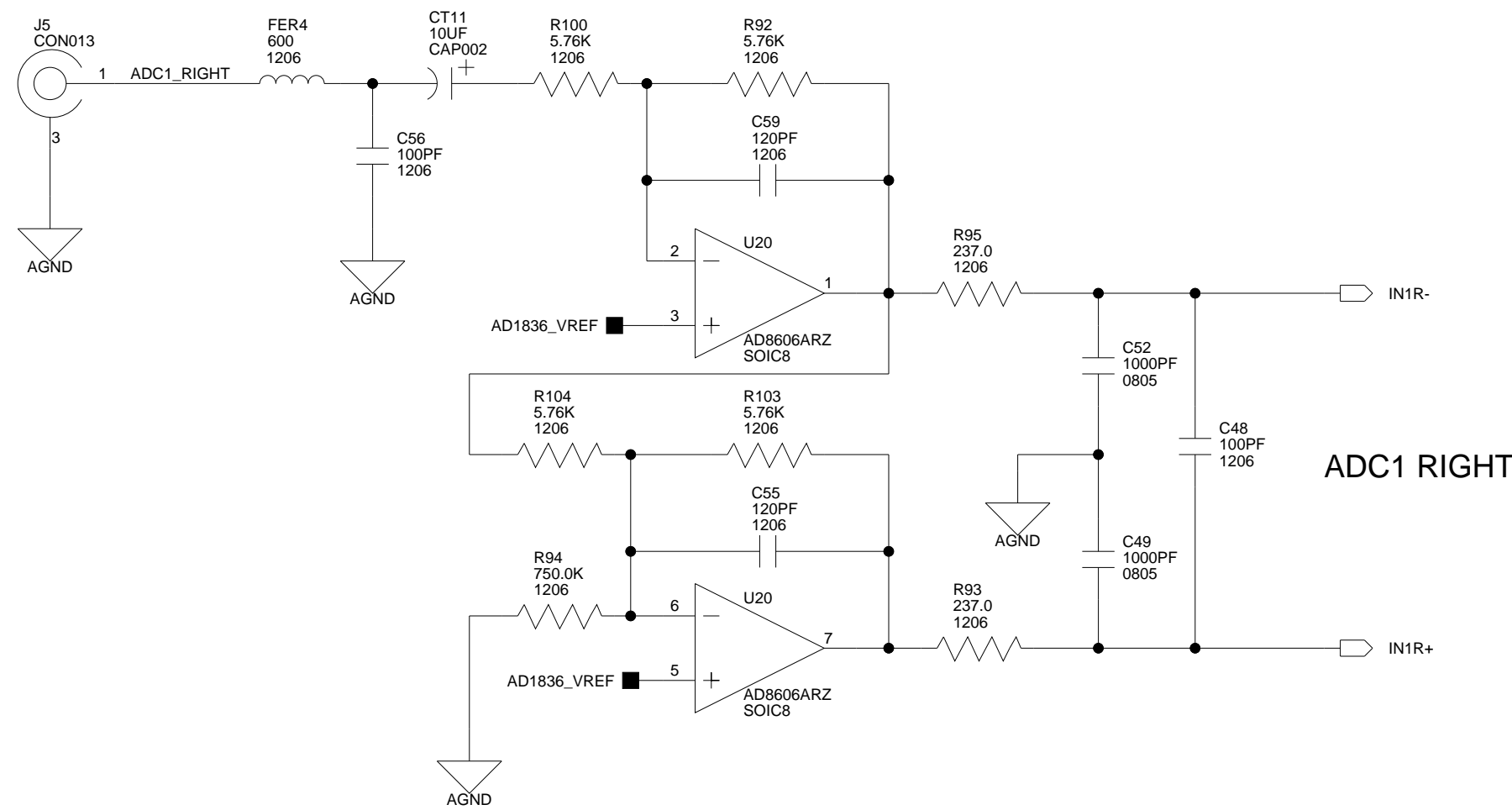
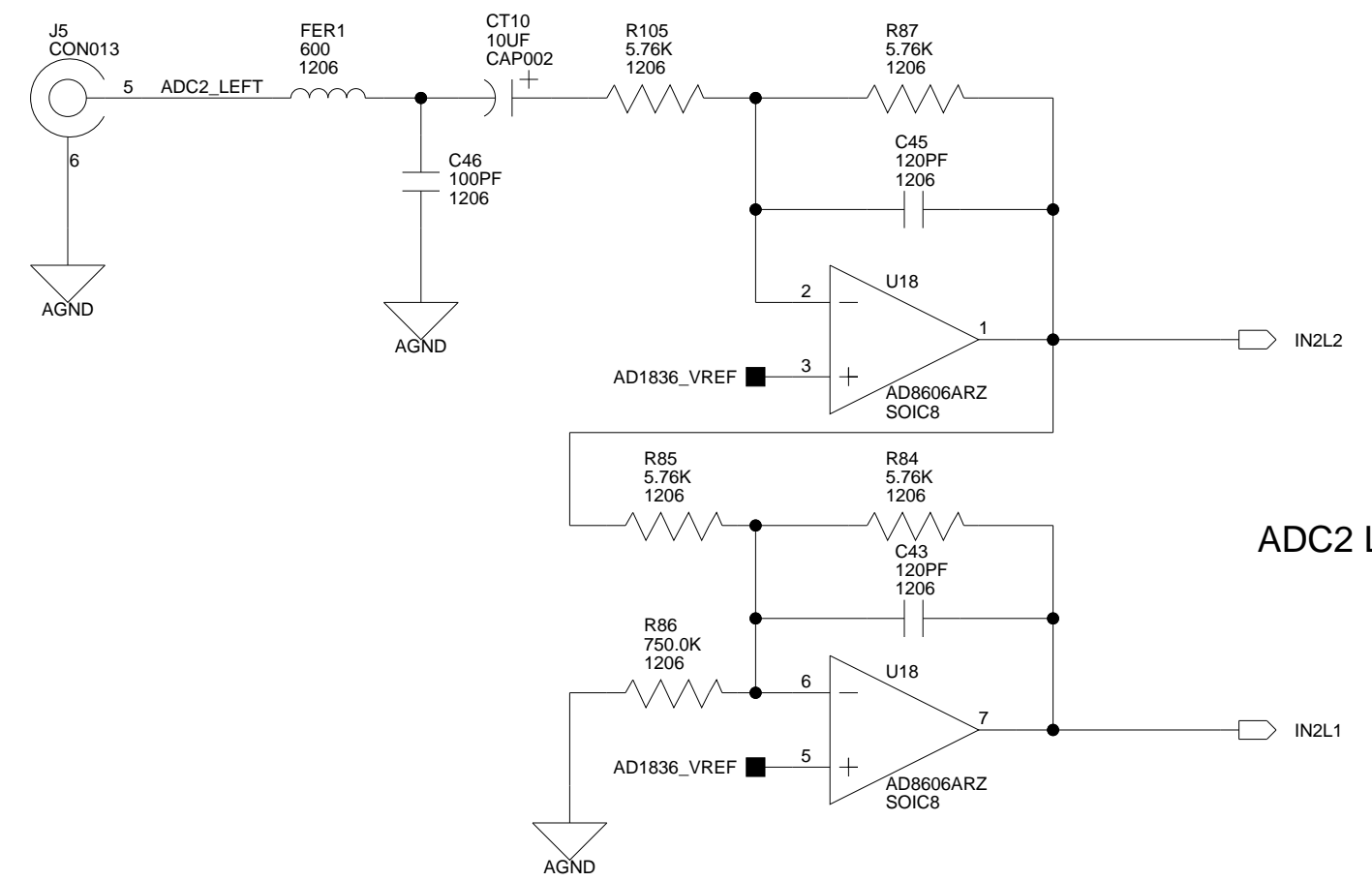
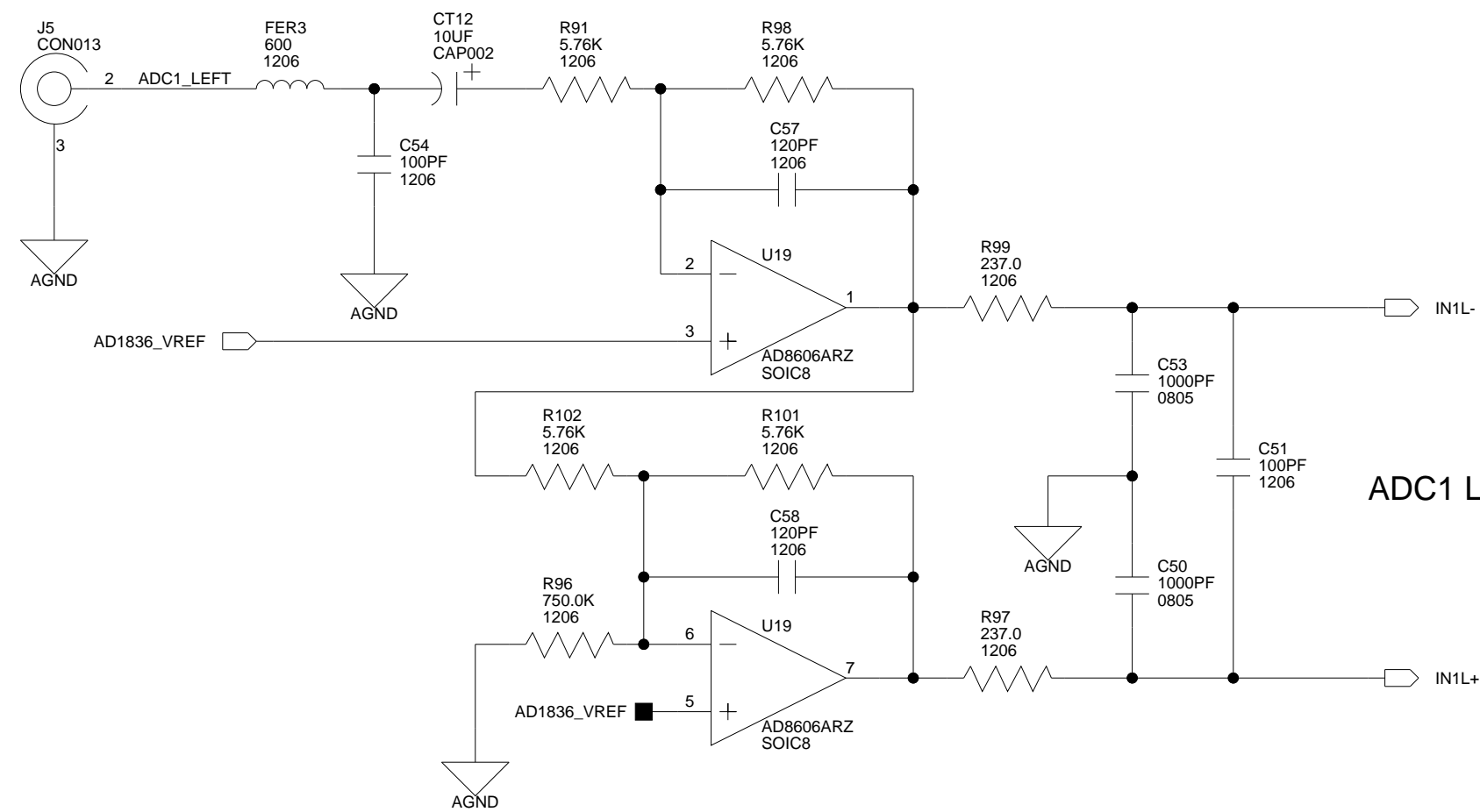
DAC2 LEFT




DAC3 LEFT



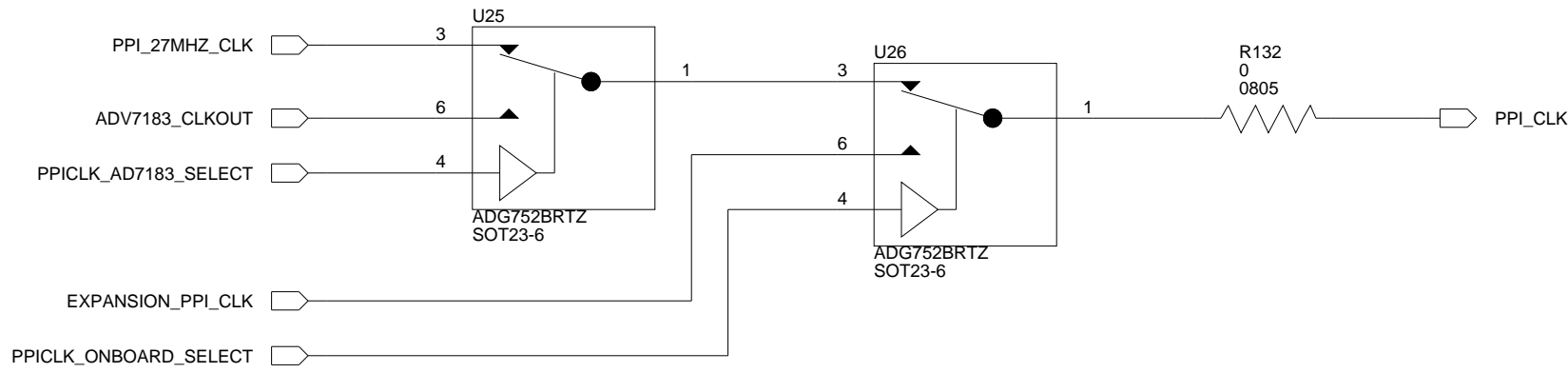
 ANALOG DEVICES		20 Cotton Road Nashua, NH 03063 PH: 1-800-ANALOGD	
		Title ADSP-BF533 EZ-KIT LITE AUDIO OUT	
Size C	Board No. A0167-2001	Rev 2.1	
Date 5-31-2006_10:26	Sheet 5 of 12		



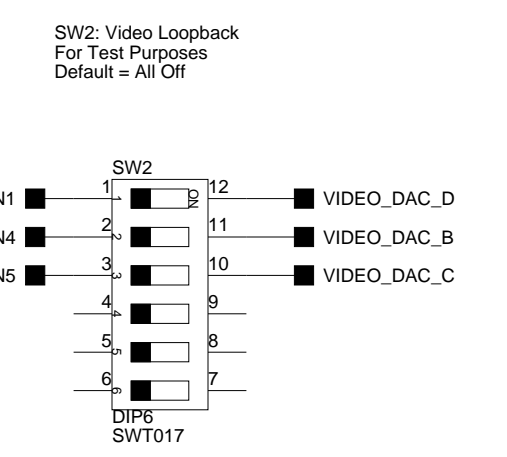
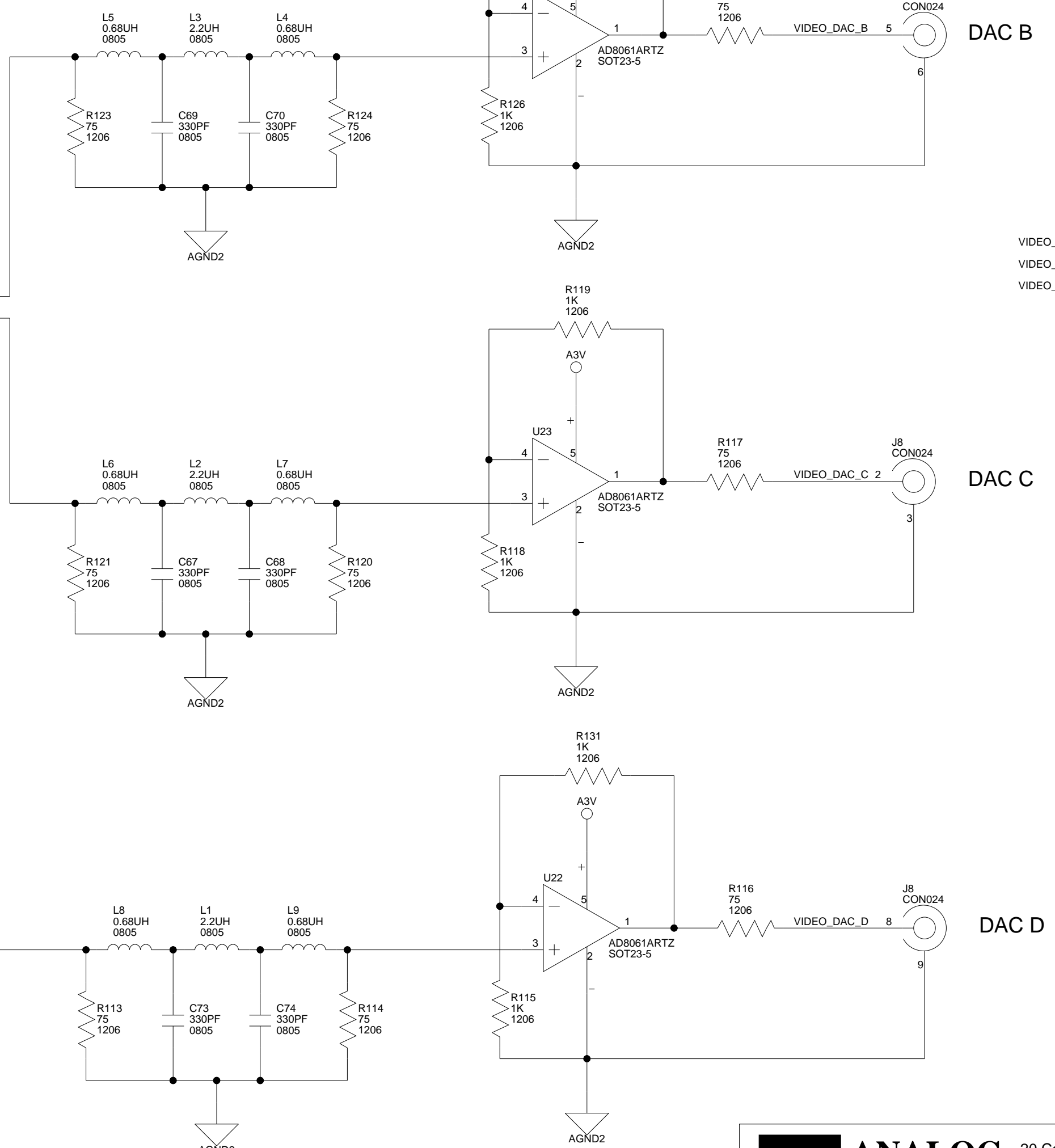
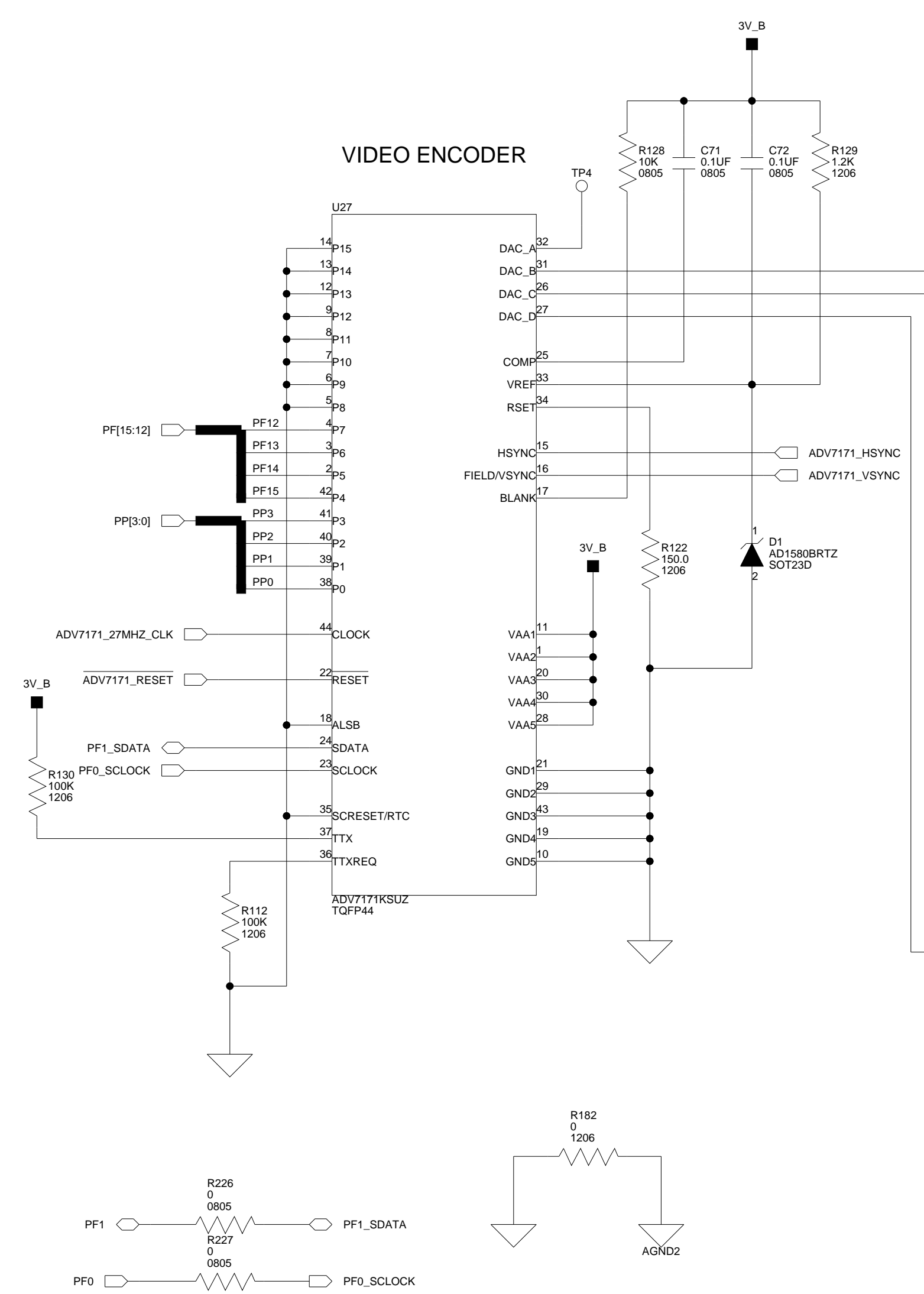
 ANALOG DEVICES		20 Cotton Road Nashua, NH 03063 PH: 1-800-ANALOGD	
		Title ADSP-BF533 EZ-KIT LITE AUDIO IN	
Size C	Board No.	Rev	
Date	5-31-2006_10:26	Sheet	6 of 12

PPICKL_ONBOARD_SELECT	PPICKL_AD7183_SELECT	PPCLK
0	0	PPL_27MHZ_CLK (DEFAULT)
0	1	ADV7183_CLKOUT
1	X	EXPANSION_CLK

	DAC B	DAC C	DAC D
Composite Video	CVSB		CVSB
Component Video	B	R	G
Differential Component Video	U	V	Y
S Video		C	Y



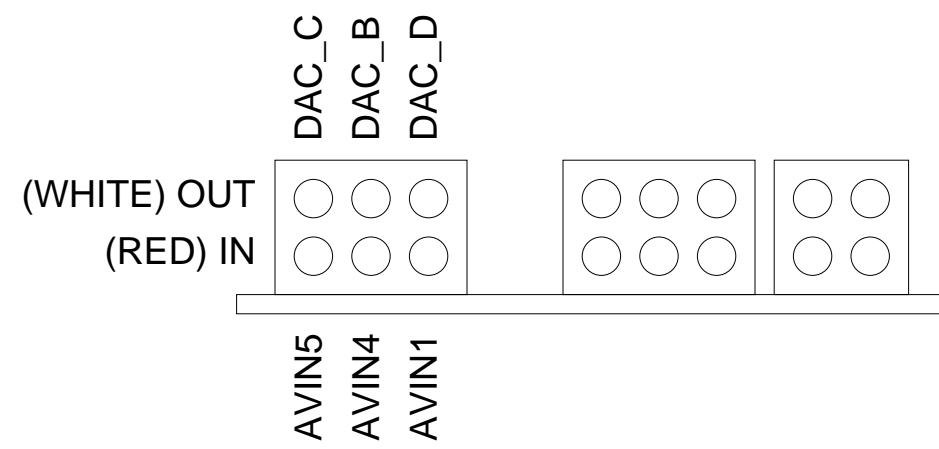
VIDEO ENCODER



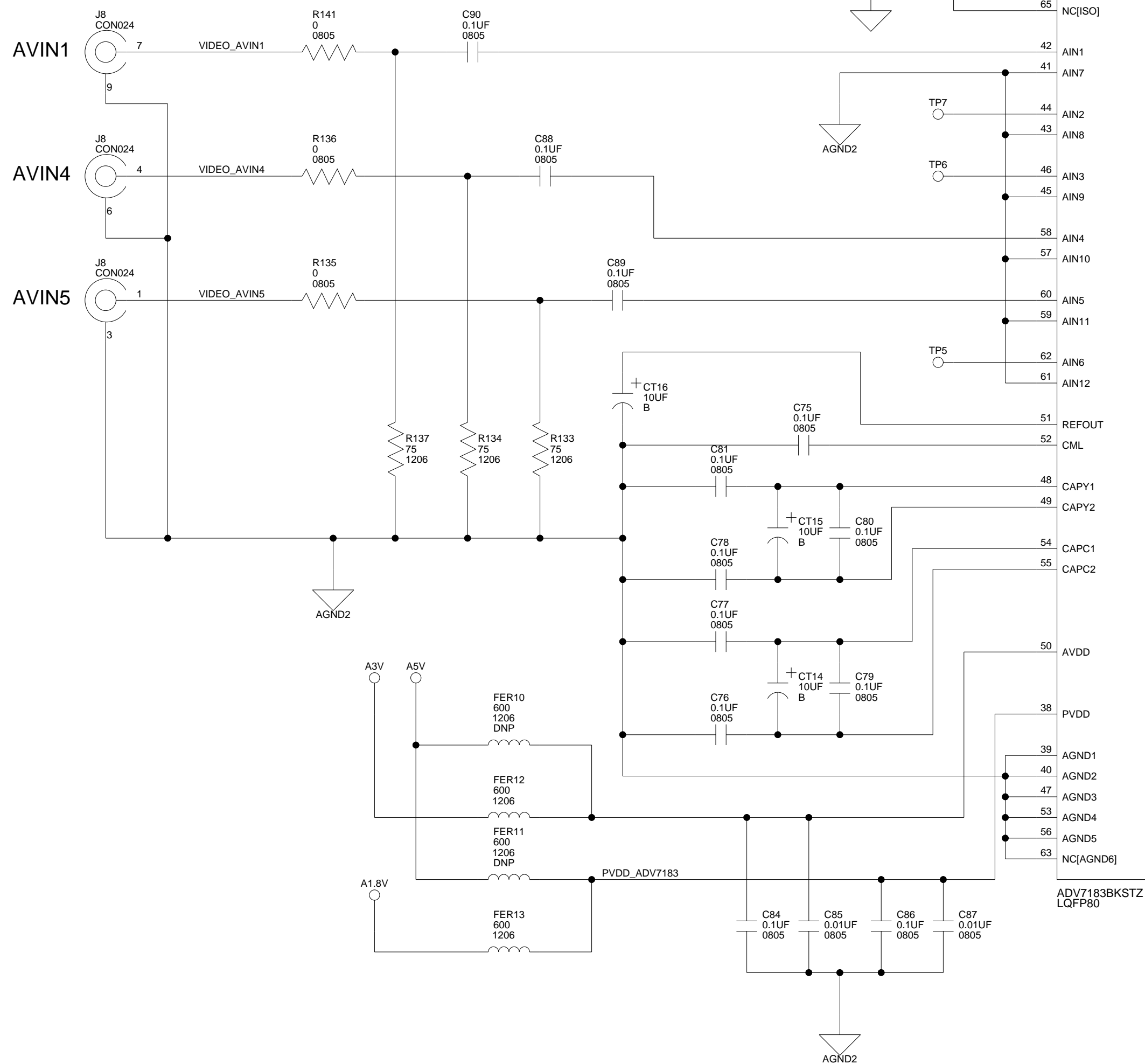
ANALOG DEVICES

20 Cotton Road
Nashua, NH 03063
PH: 1-800-ANALOGD

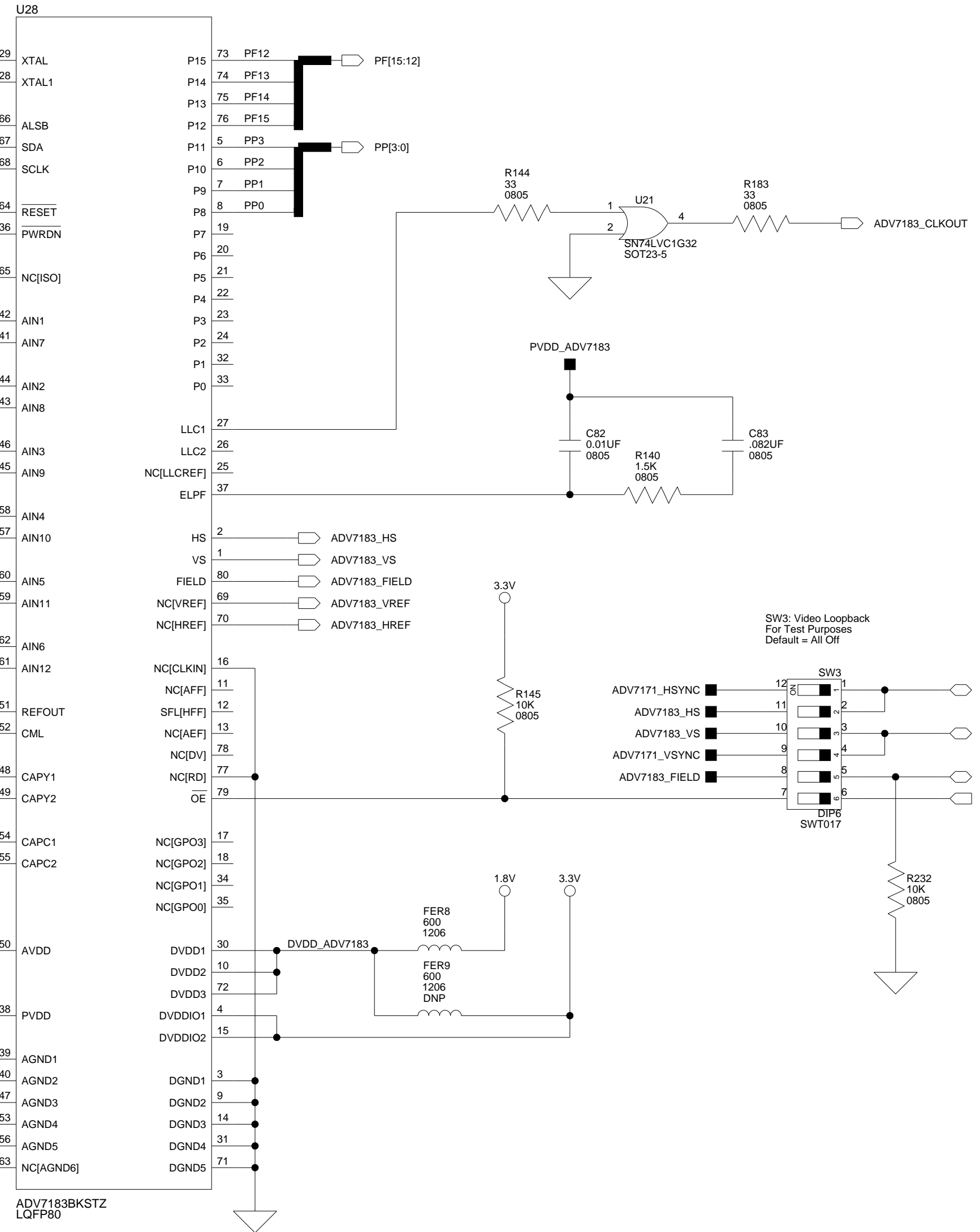
Title			ADSP-BF533 EZ-KIT LITE VIDEO OUT		
Size	Board No.				Rev
C	A0167-2001				2.1
Date	5-31-2006_10:26	Sheet	7 of	12	



	AVIN1	AVIN4	AVIN5
Composite Video	CVBS	CVBS	CVBS
Differential Component Video	Y	U	V
S Video	Y	C	



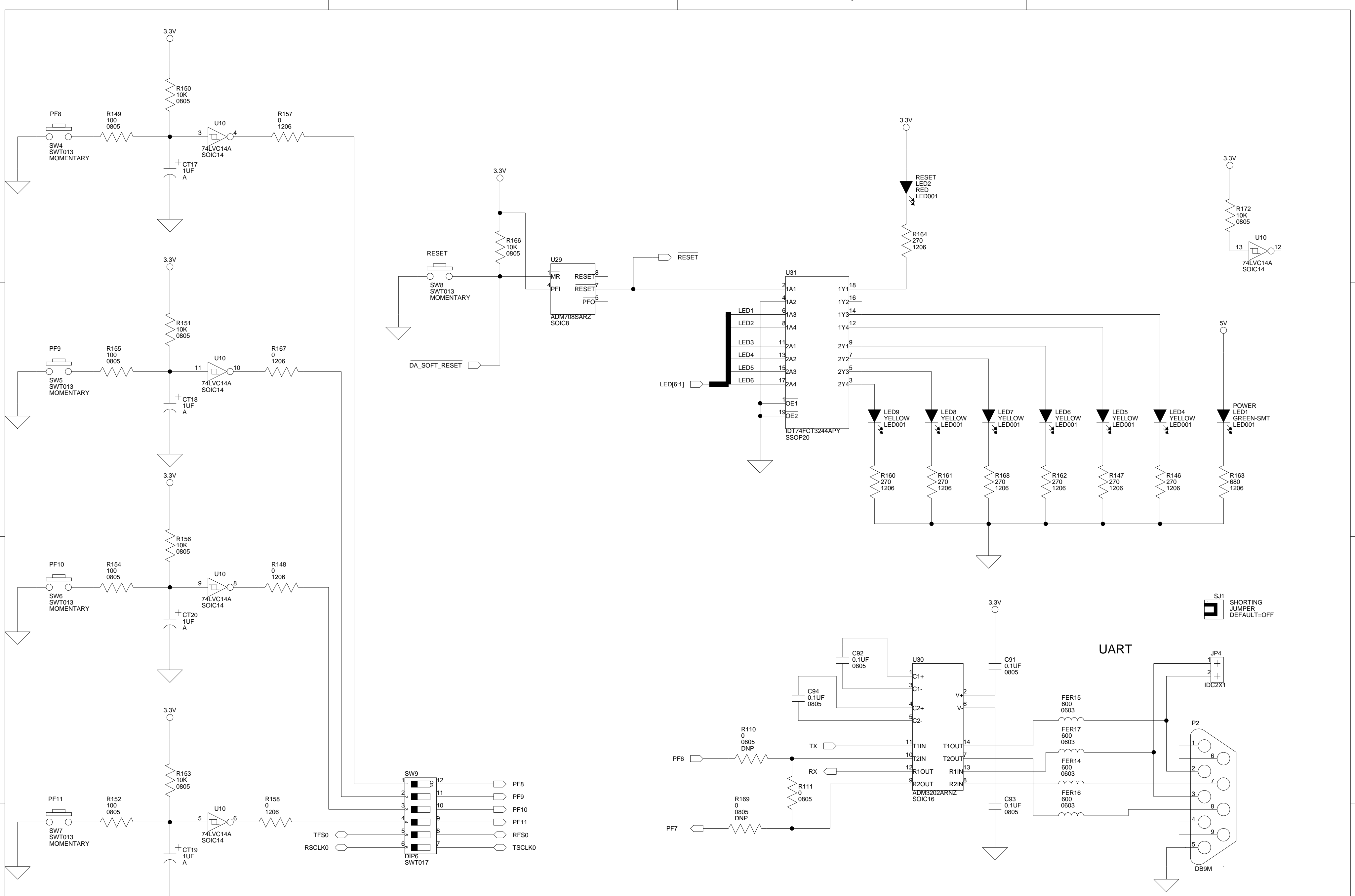
VIDEO DECODER



ANALOG DEVICES

20 Cotton Road
Nashua, NH 03063
PH: 1-800-ANALOGD

Title ADSP-BF533 EZ-KIT LITE VIDEO IN		
Size C	Board No. A0167-2001	Rev 2.1
Date 5-31-2006_10:26	Sheet 8 of	12



SW8 PB Enable Switch

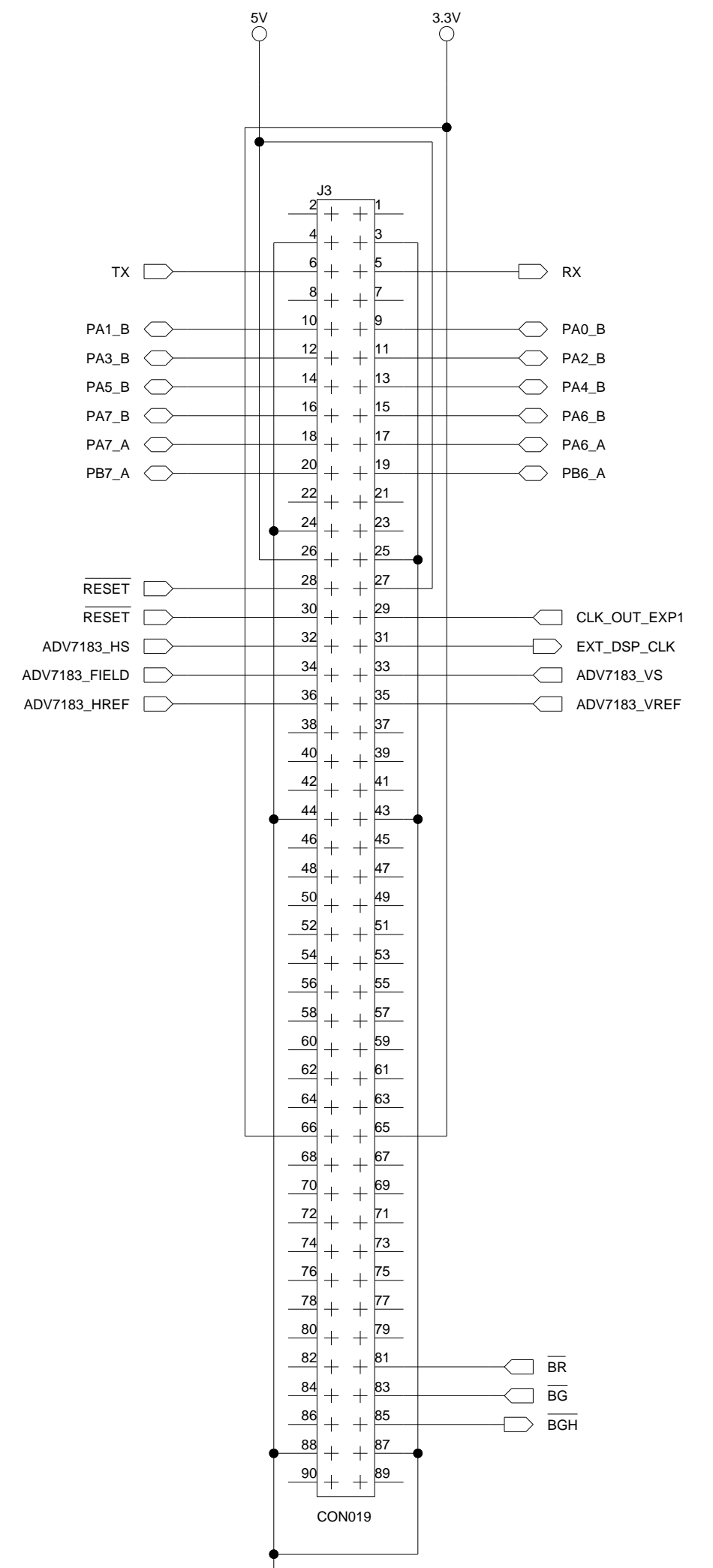
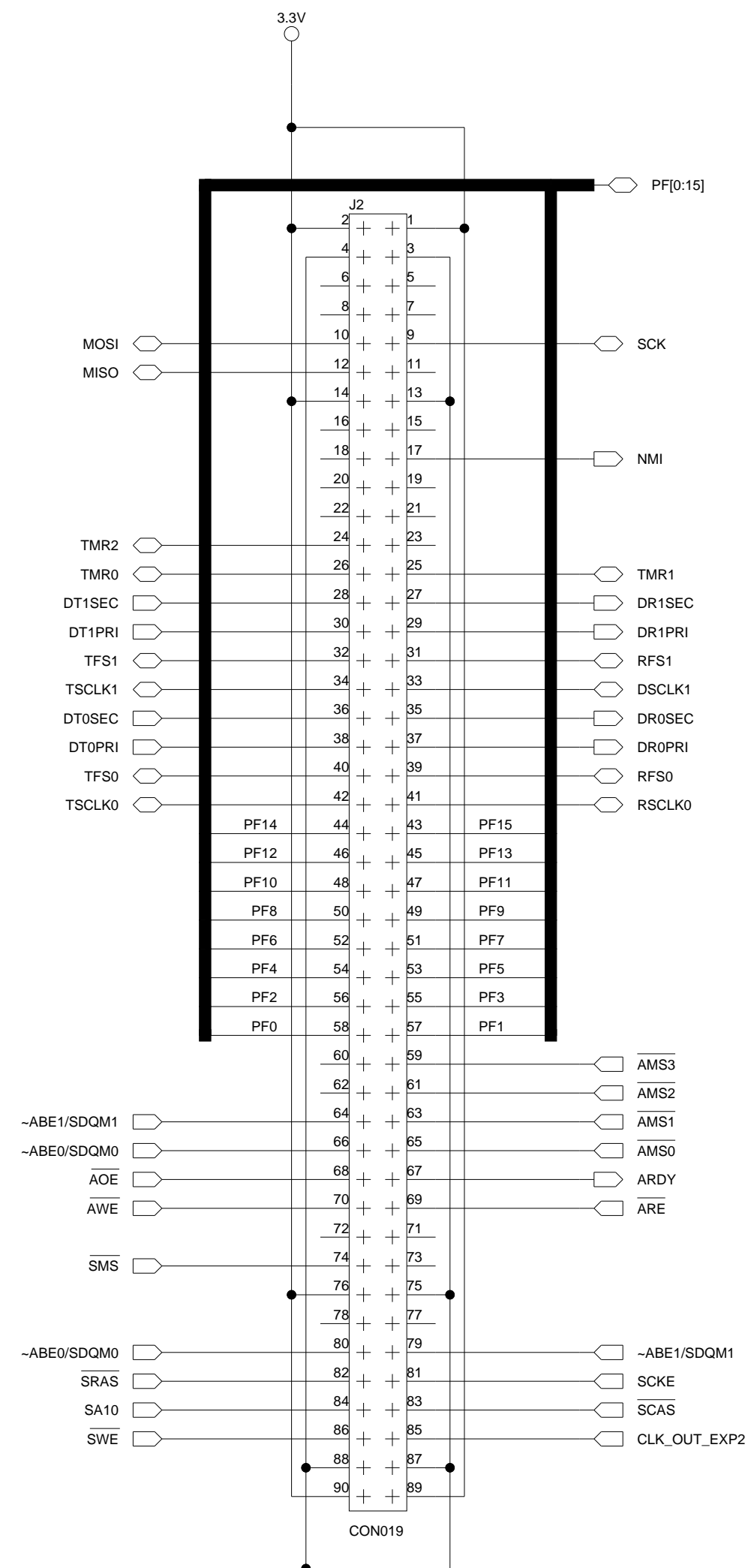
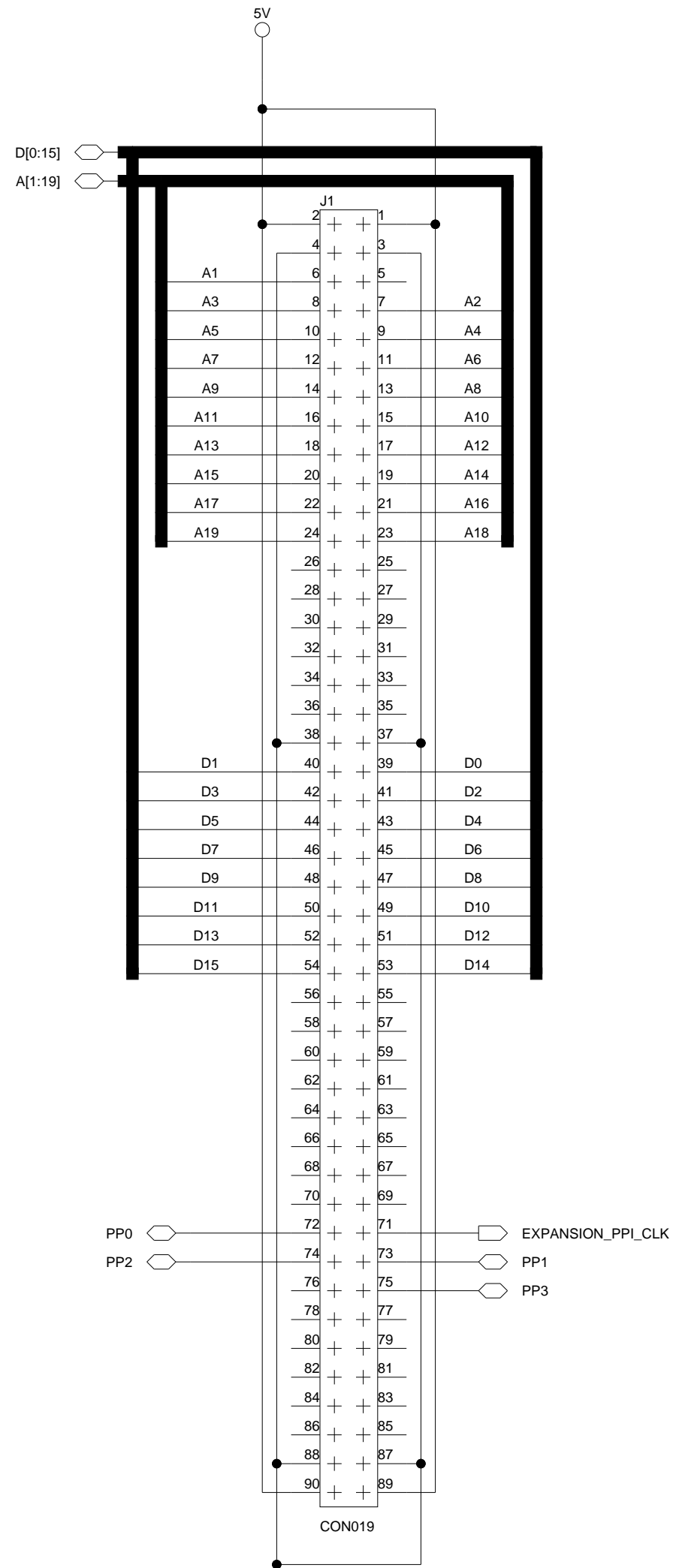
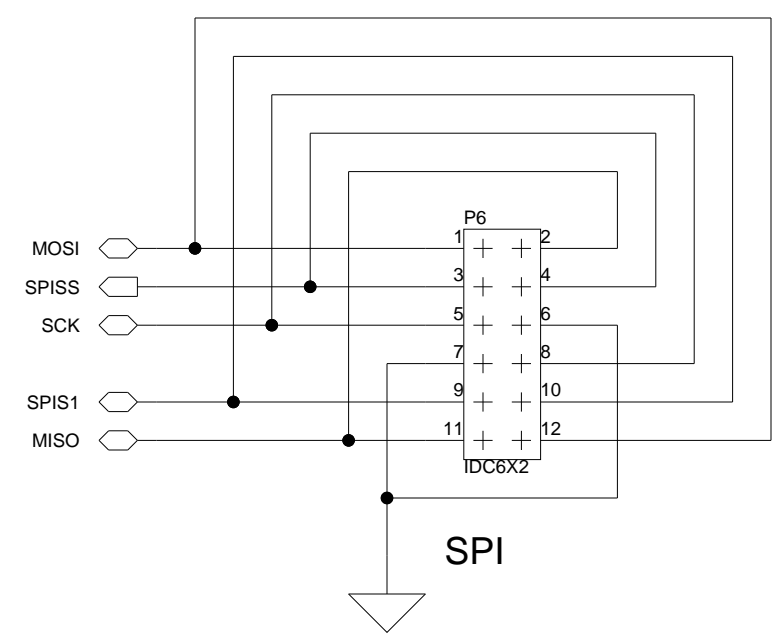
Position	Function
1-4	Connects the push buttons to the Programmable Flags of the DSP Useful if using the PFs for another purpose.
5,6	Connects SPORT0 frame sync and clock together external to the DSP Required when AD1836 is in I2S mode

ANALOG DEVICES

20 Cotton Road
Nashua, NH 03063
PH: 1-800-ANALOGD

Title ADSP-BF533 EZ-KIT LITE IO/RESET/UART		
Size C	Board No. A0167-2001	Rev 2.1
Date 5-31-2006_10:26	Sheet 9 of 12	

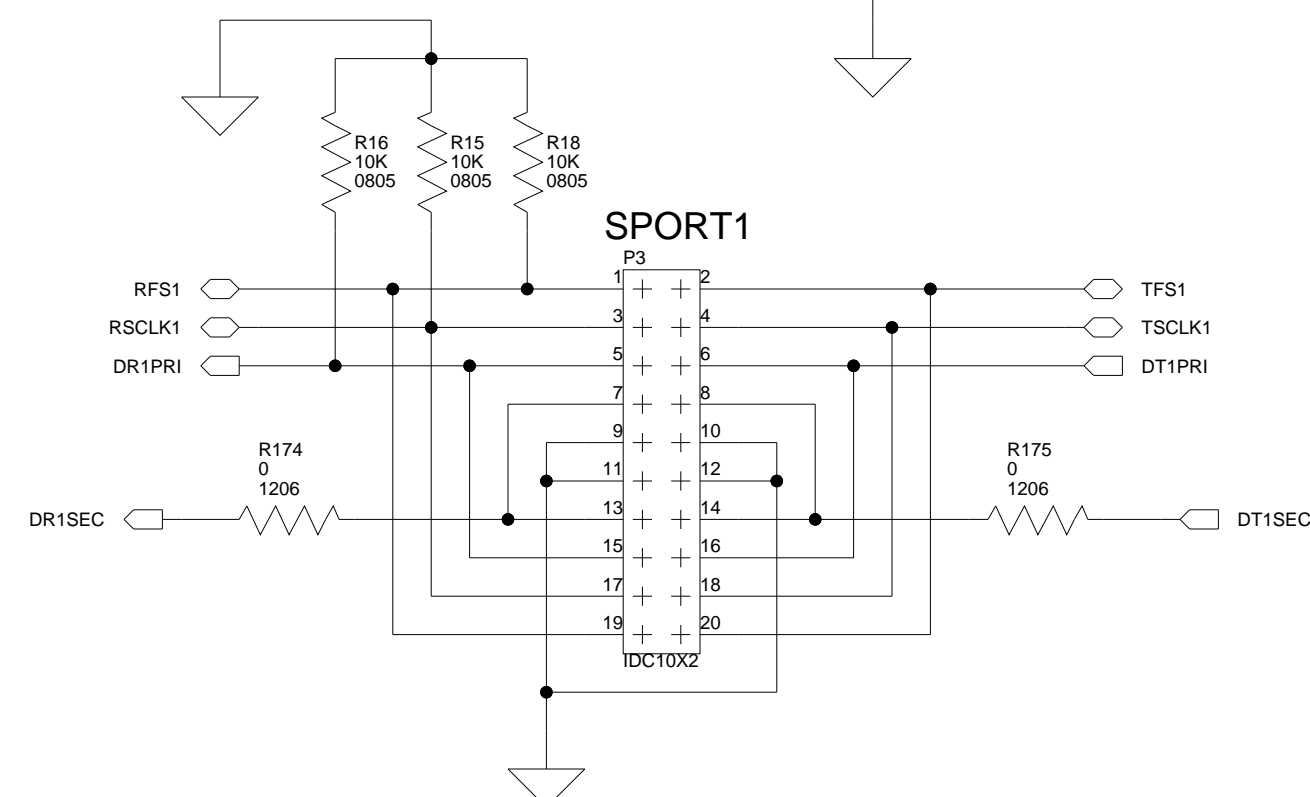
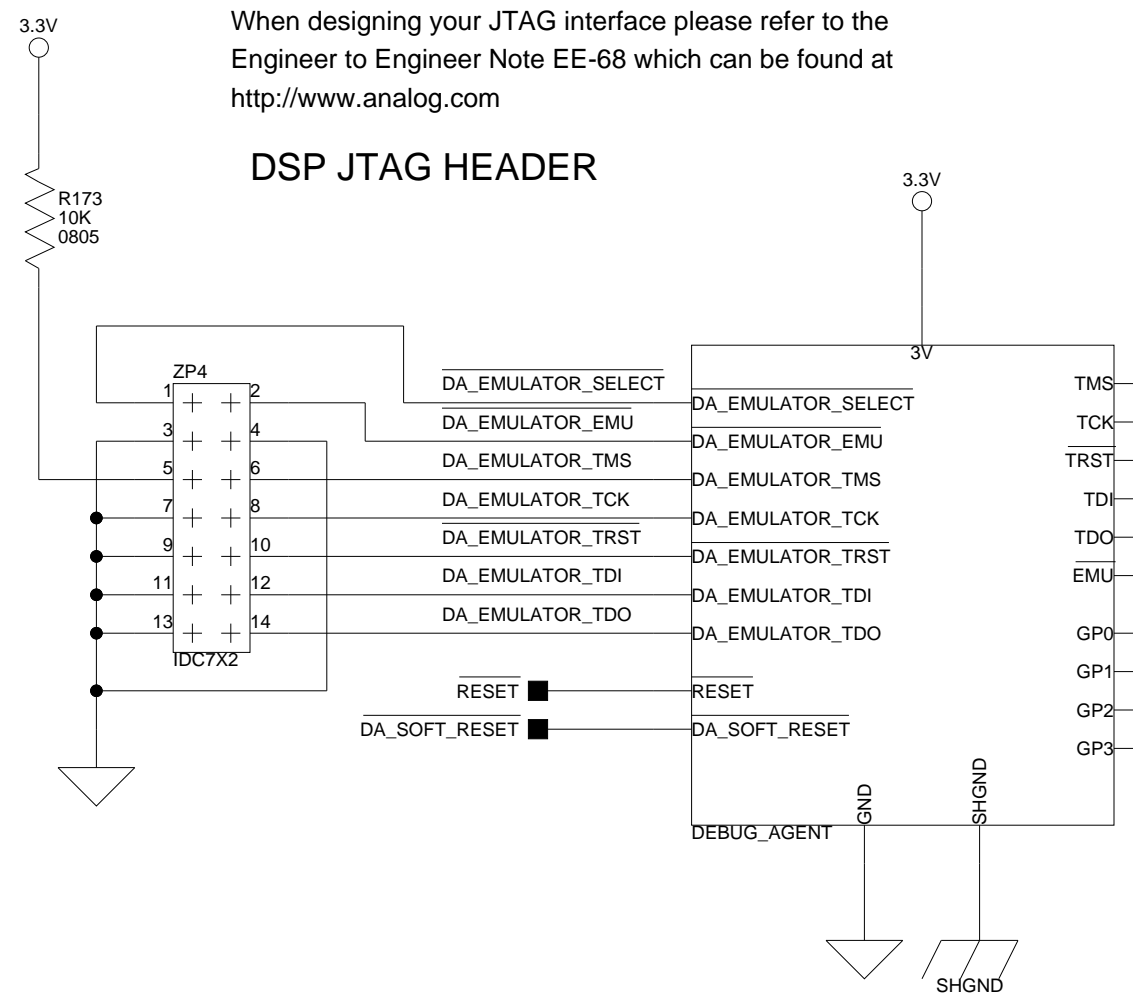
EXPANSION INTERFACE (TYPE B)



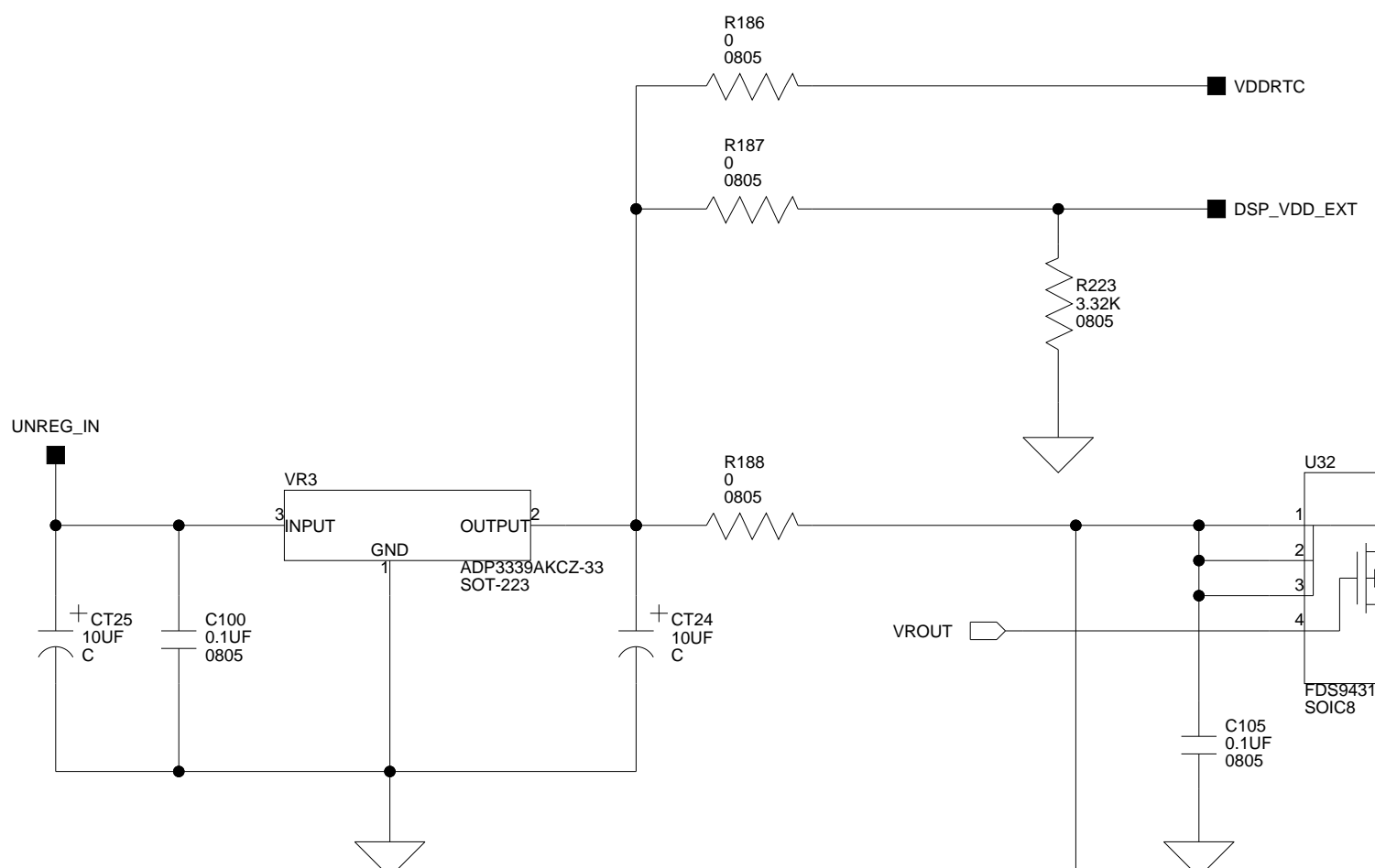
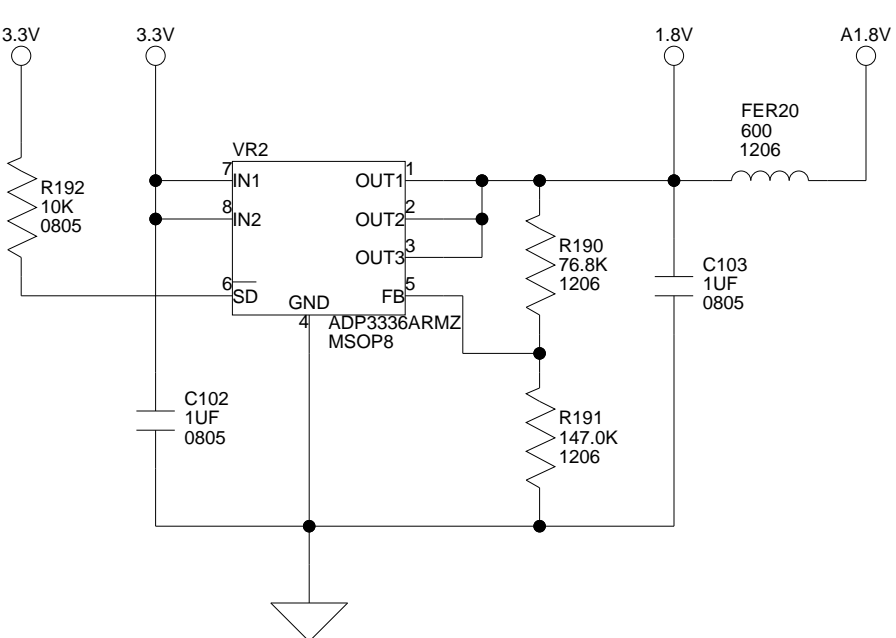
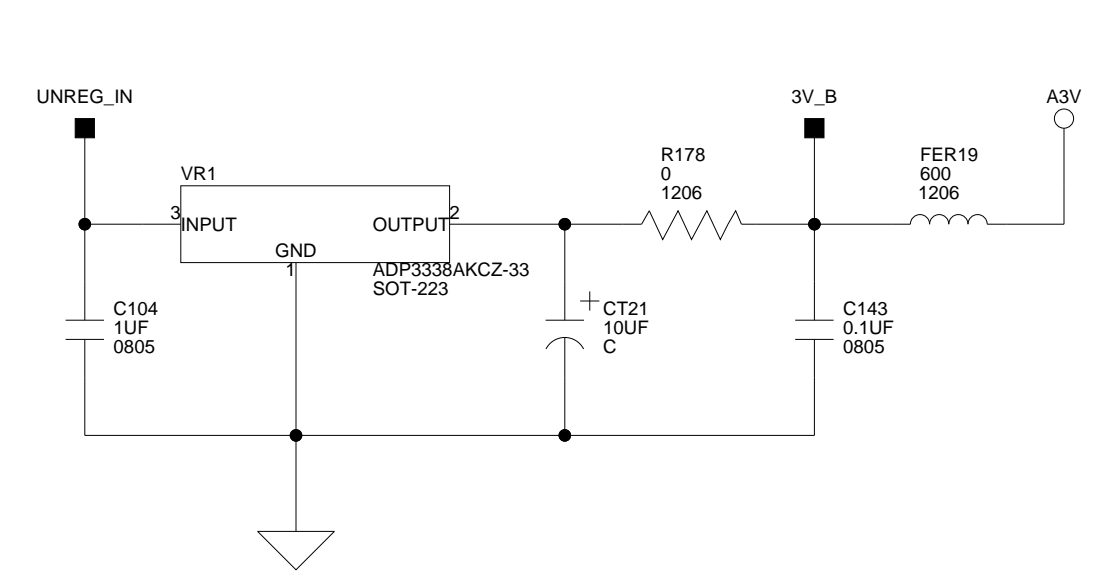
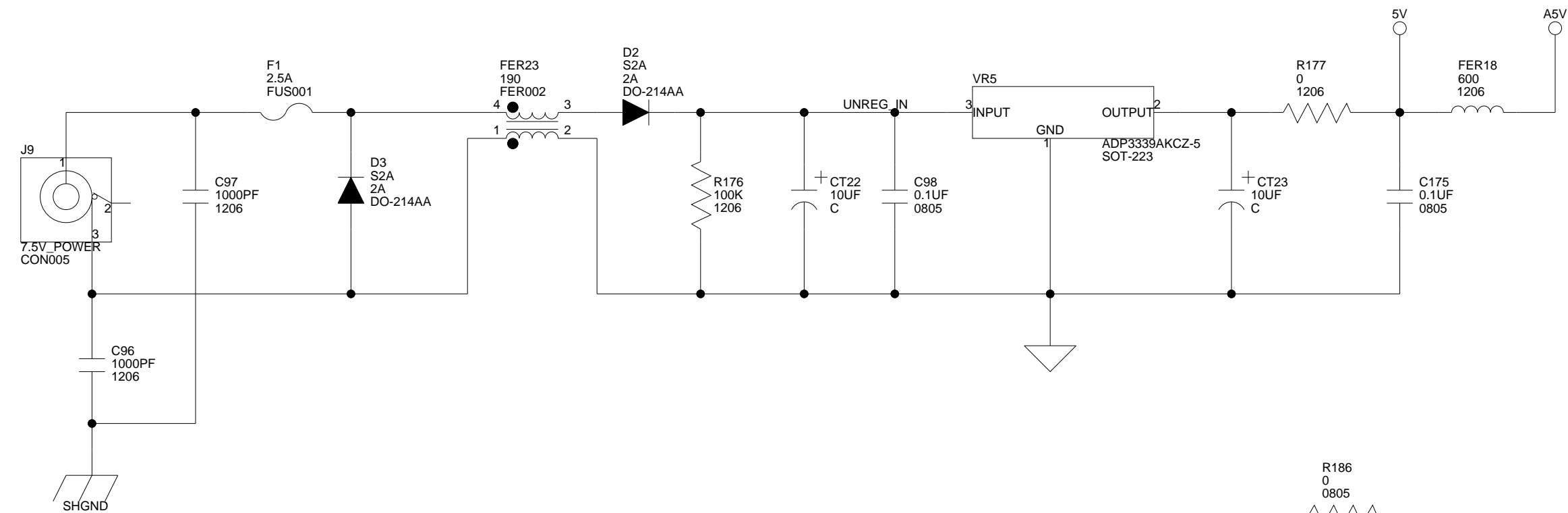
All USB interface circuitry is considered proprietary and has been omitted from this schematic.

When designing your JTAG interface please refer to the Engineer to Engineer Note EE-68 which can be found at <http://www.analog.com>

DSP JTAG HEADER



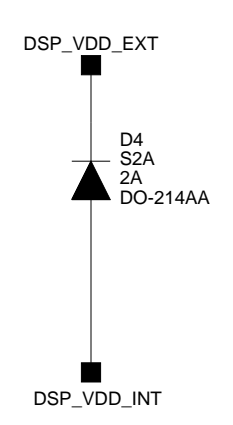
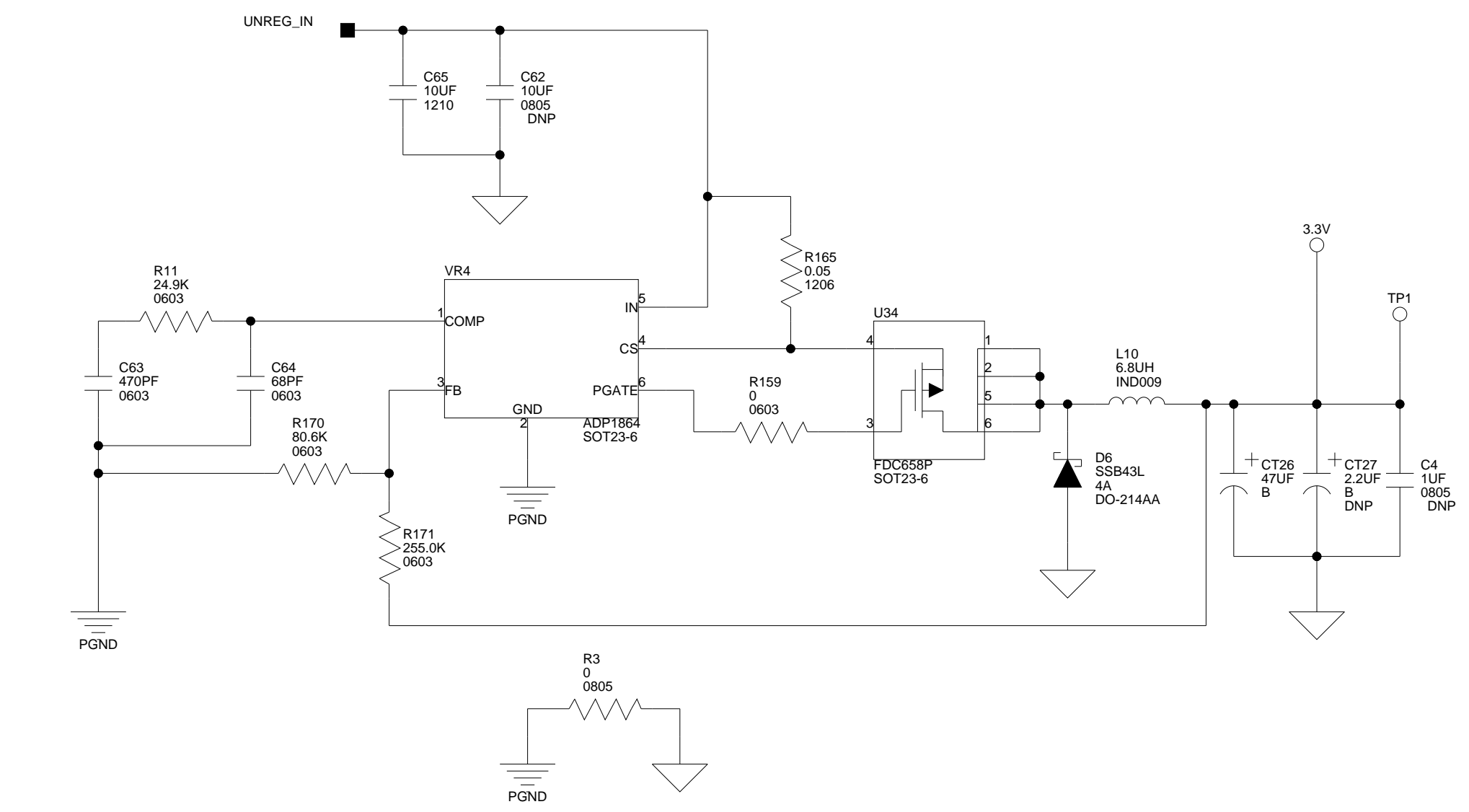
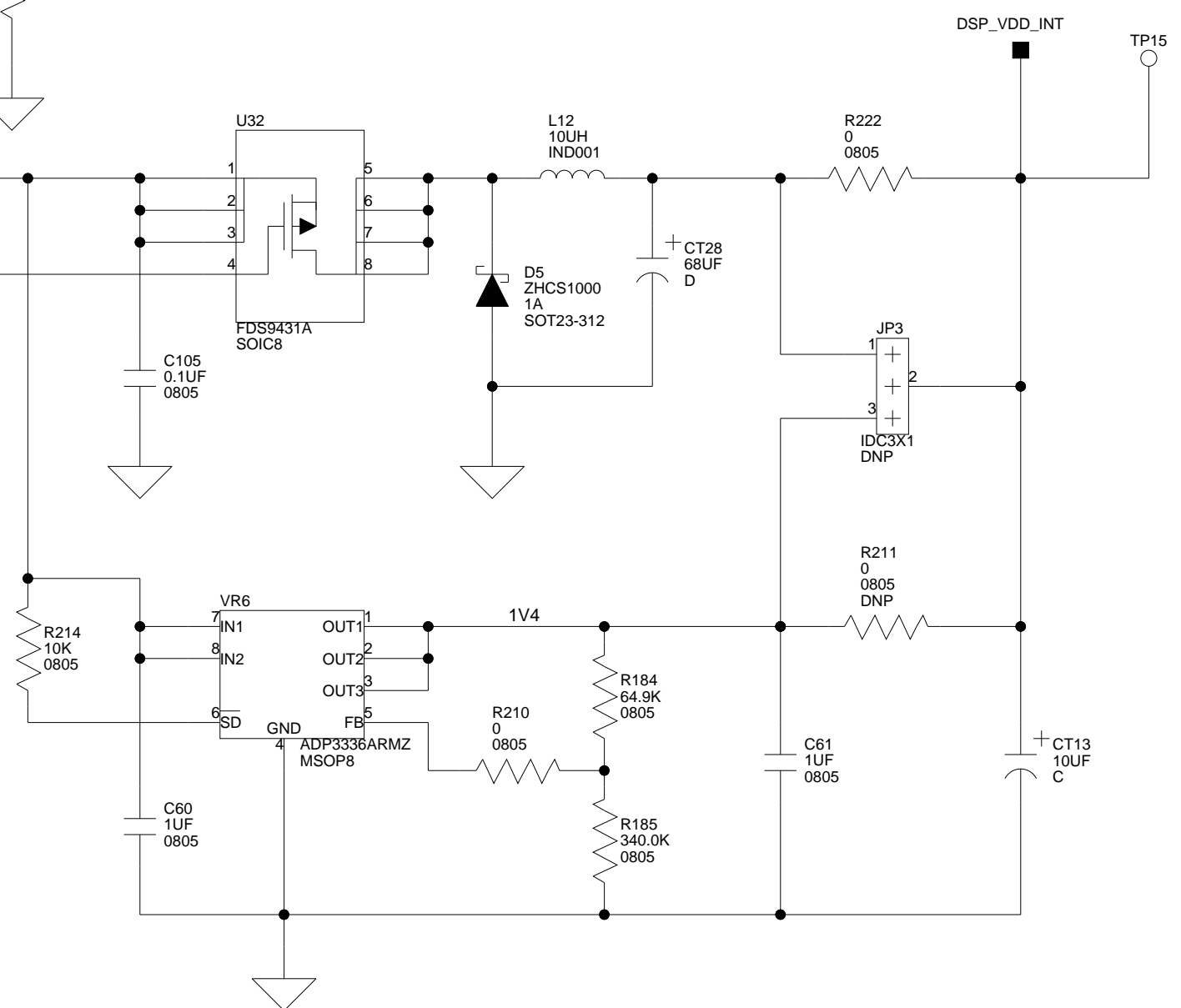
		20 Cotton Road Nashua, NH 03063 PH: 1-800-ANALOGD
Title ADSP-BF533 EZ-KIT LITE CONNECTORS		
Size C	Board No. A0167-2001	Rev 2.1
Date 5-31-2006_10:25	Sheet 10 of	12



SW10: Core Voltage Source Select
DEFAULT: Not Populated

Position	Function
1 and 2	DSP_VDD_INT = DSP Internal Voltage Regulation
2 and 3	DSP_VDD_INT = 1.4V Fixed

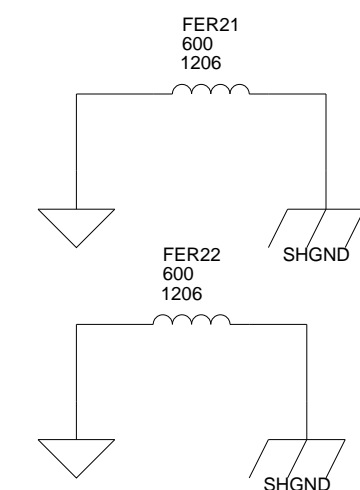
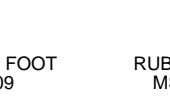
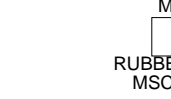
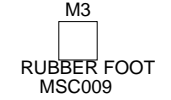
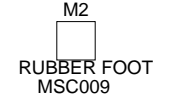
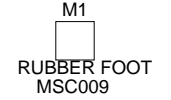
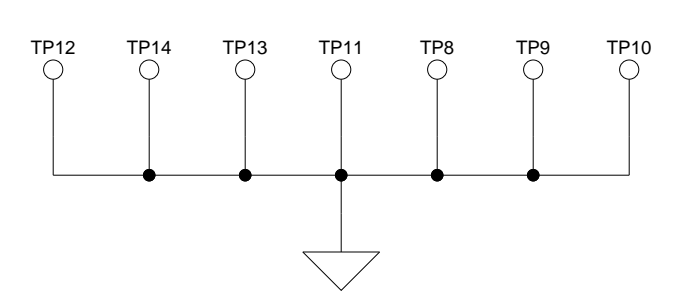
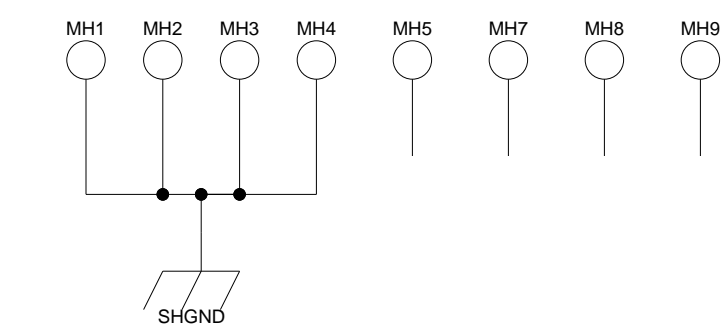
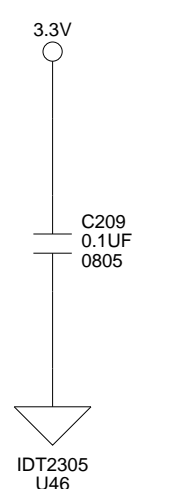
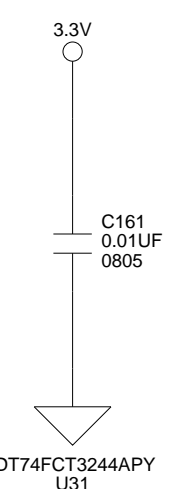
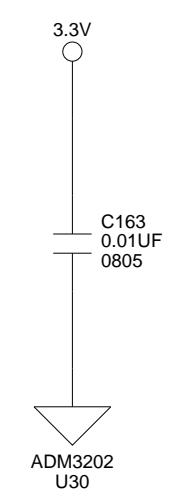
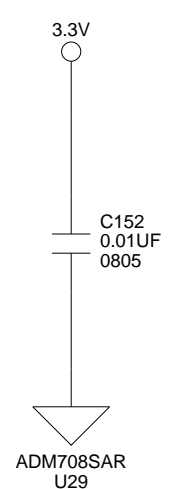
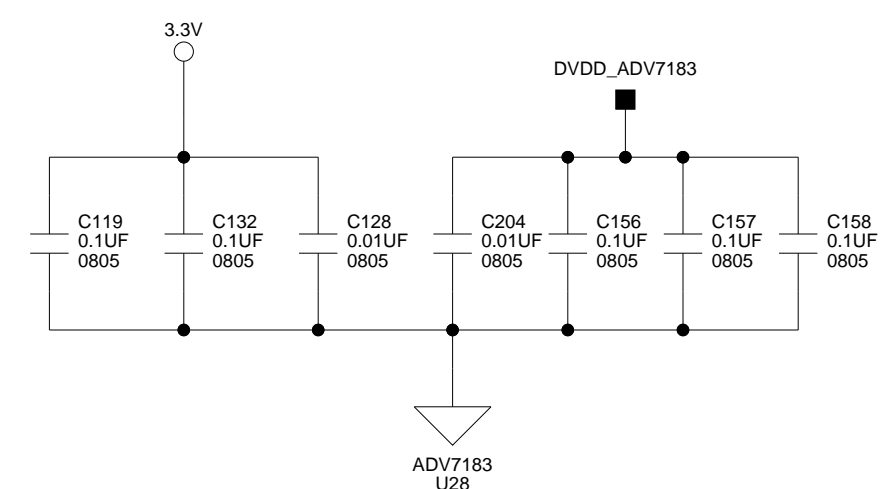
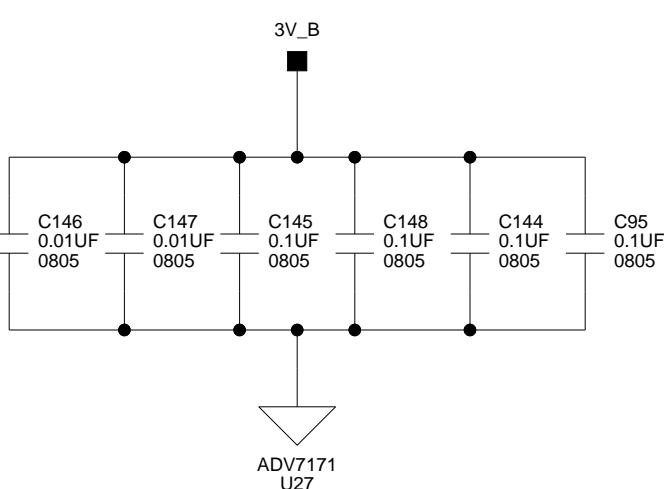
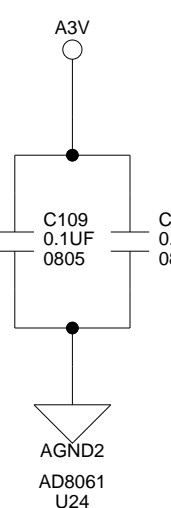
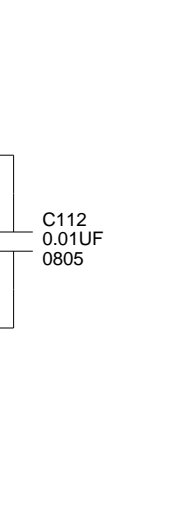
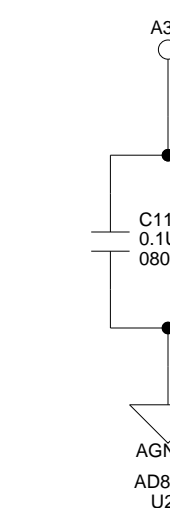
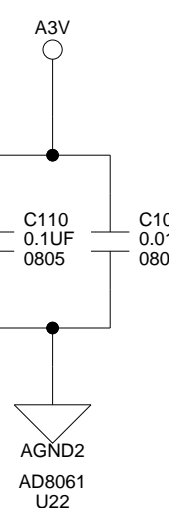
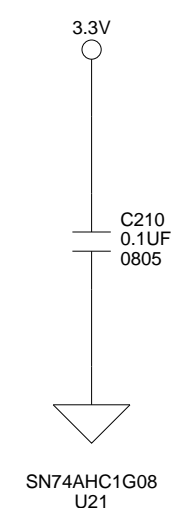
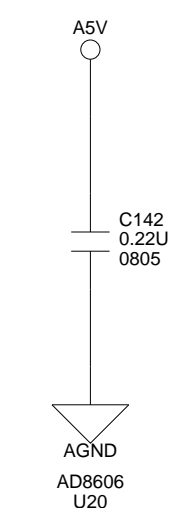
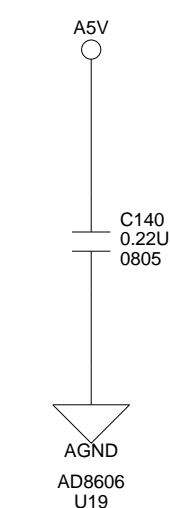
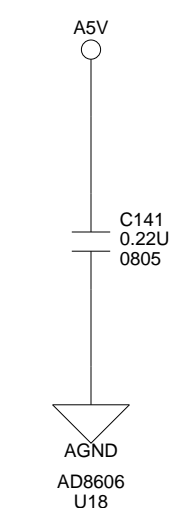
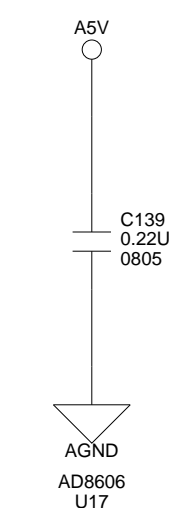
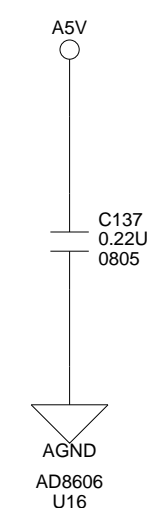
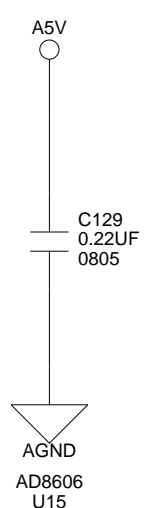
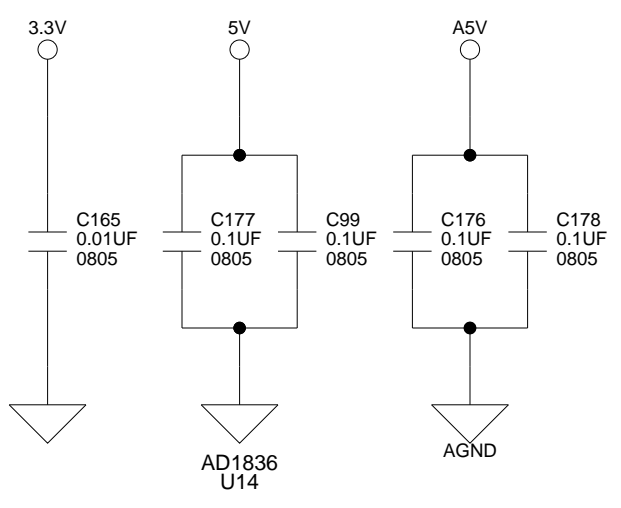
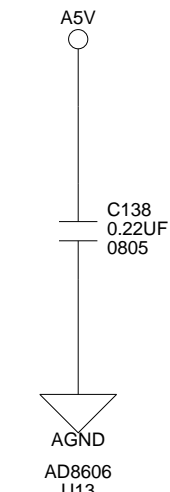
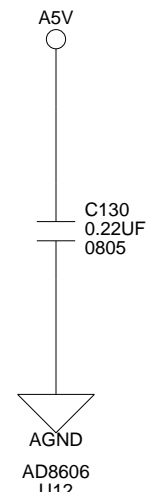
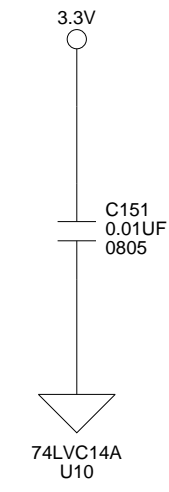
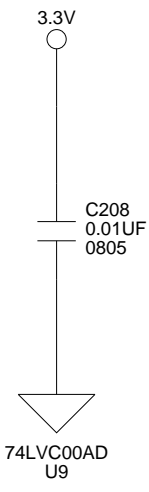
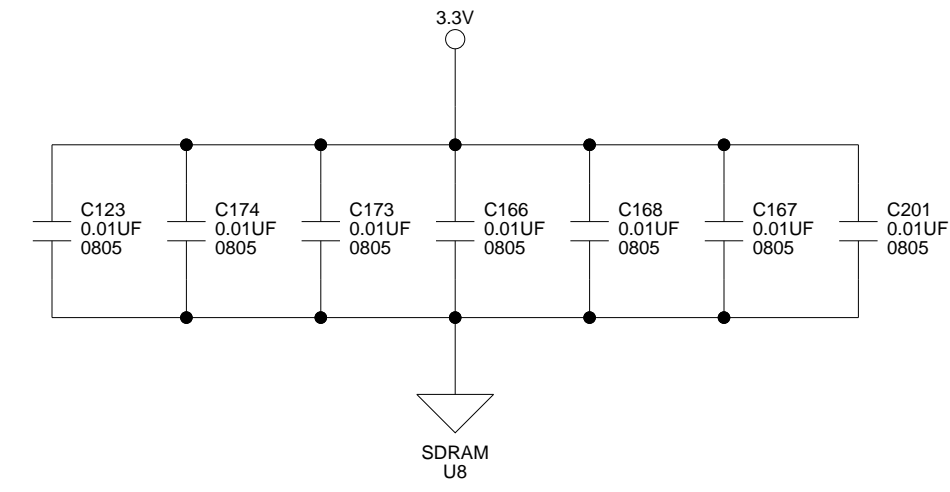
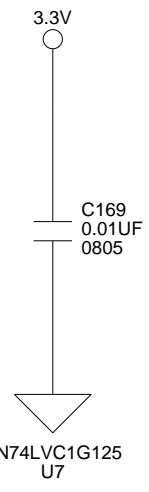
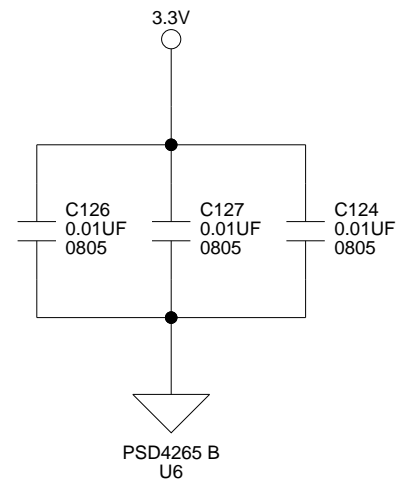
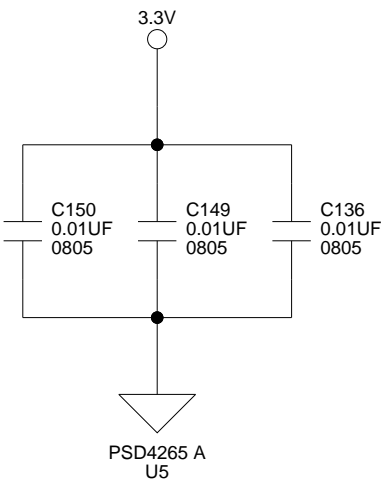
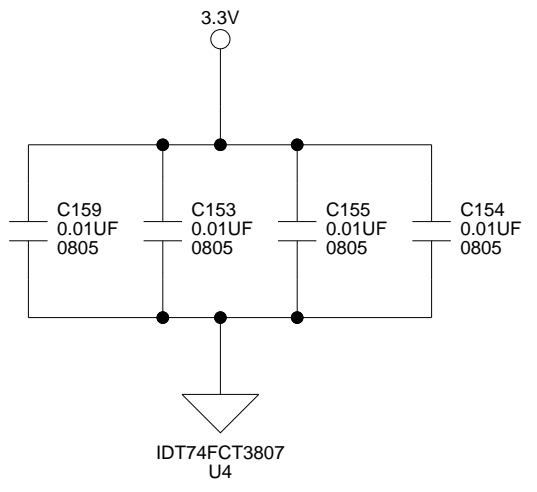
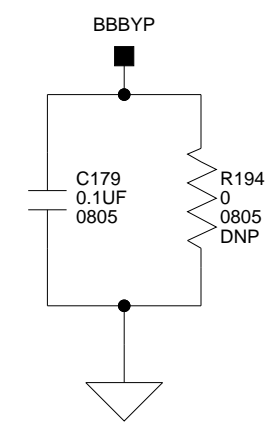
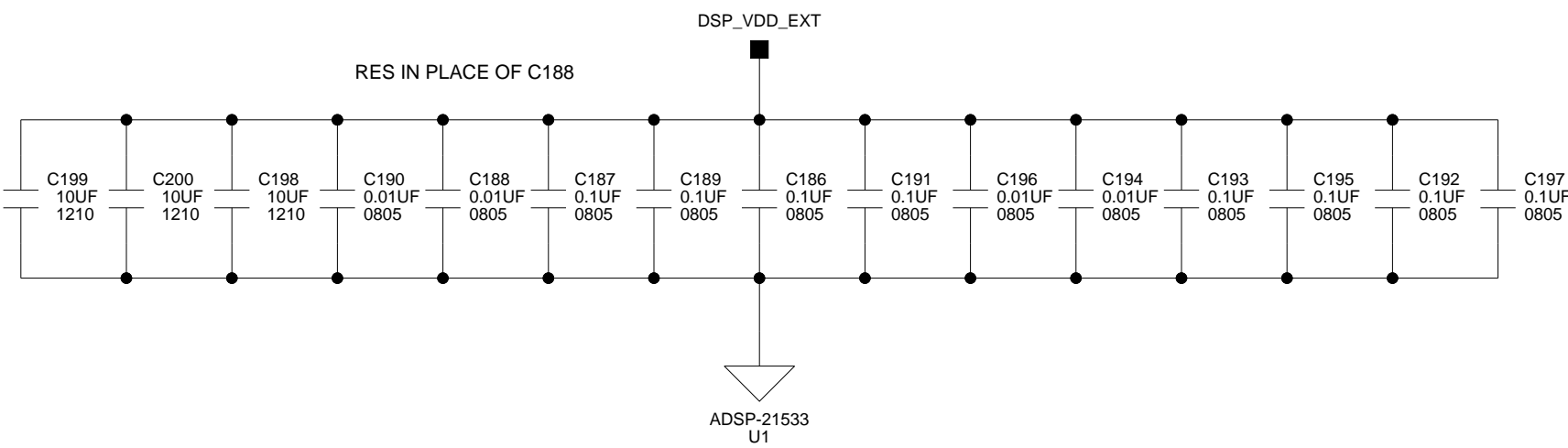
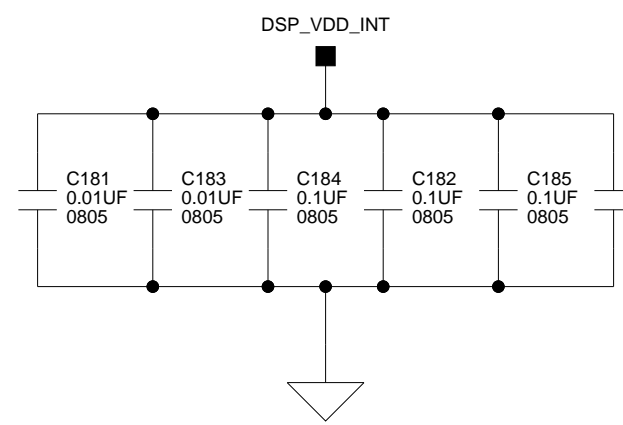
Note: For boards without a 750MHz processor this jumper will not be populated and the DSP_VDD_INT will be hard-wired with R222 to use the processor internal regulator.



ANALOG DEVICES

20 Cotton Road
Nashua, NH 03063
PH: 1-800-ANALOGD

Title ADSP-BF533 EZ-KIT LITE POWER		
Size C	Board No. A0167-2001	Rev 2.1
Date 6-26-2006_11:22	Sheet 11 of	12



		20 Cotton Road Nashua, NH 03063 PH: 1-800-ANALOGD	
		Title ADSP-BF533 EZ-KIT LITE BYPASS CAPS	
Size C	Board No. A0167-2001	Rev 2.1	
Date 5-31-2006_10:25	Sheet 12	of 12	12

I INDEX

A

AD1836 audio codecs, [xi](#), [1-13](#), [1-15](#), [2-4](#), [2-12](#)
ADV7171 video encoders, [xi](#), [1-16](#), [2-6](#), [2-7](#),
[2-11](#)
ADV7183 video decoders, [xi](#), [1-16](#), [2-6](#), [2-7](#),
[2-11](#)
AINx analog video channels, [2-7](#)
-AMS2-0 memory select pins, [1-8](#), [1-10](#), [2-3](#)
analog
 audio interface, *See* SPORT0, SPORT1
 video interface, *See* video interface
architecture, of this EZ-KIT Lite, [2-2](#)
ASYNC (asynchronous memory control)
 control registers, [1-11](#)
 external memory banks 0-2, [1-8](#), [1-10](#)
audio
 codecs, *See* AD1836 audio codecs
 connectors (J4-5), [2-18](#)

B

background telemetry channel (BTC), [1-17](#)
bill of materials, [A-1](#)
board schematic, [B-1](#)
boot mode switch (SW11), [2-11](#)

C

CCLK pin, [1-9](#)

clock

 frequency, [1-9](#)
 in (CLK IN) signal, [2-7](#)
 out (CLK OUT) signal, [2-3](#)
codecs, *See* 1836 audio codecs
configuration, of this EZ-KIT Lite, [1-3](#)
connectors
 diagram of locations, [1-3](#), [2-17](#)
 DB9 (UART), [2-8](#), [2-20](#)
 J1-3 (expansion interface), [2-8](#), [2-17](#)
 J4-5 (audio), [2-18](#)
 J8 (video), [2-18](#)
 J9 (power), [1-4](#), [2-18](#)
 P1 (FlashLINK), [2-19](#)
 P2 (RS-232), [2-8](#), [2-20](#)
 P3 (SPORT1), [2-4](#), [2-20](#)
 P6 (SPI), [2-4](#), [2-13](#), [2-21](#)
 ZP4 (JTAG), [2-9](#), [2-21](#)
contents, of this EZ-KIT Lite package, [1-2](#)
core
 frequency, [1-9](#)
 voltage, [2-2](#)
customer support, [xiv](#)

D

DAC analog video channels, [2-7](#)
Data In/Out registers, [1-12](#)
DB9 (UART) connector, [2-8](#), [2-20](#)
default configuration, of this EZ-KIT Lite, [1-3](#)

INDEX

DIP switches
 diagram of locations, [1-3](#)
 SW1-2 (test), [2-11](#)
 SW3 (video config), [1-16](#), [2-7](#), [2-11](#)
 SW9 (push button enable), [1-16](#), [2-12](#), [2-13](#)
Direction registers, [1-12](#)

E

EBIU, *See* external bus interface unit
EBIU_AMBCTLx registers, [1-11](#)
EBIU_SDx registers, [1-9](#)
example programs, [1-17](#)
expansion interface, [2-3](#), [2-4](#), [2-8](#), [2-17](#)
external bus interface unit (EBIU), [2-3](#)
external memory
 See also flash memories, SDRAM, ASYNC
 via JTAG, [2-9](#)

F

features, of this EZ-KIT Lite, [x](#)
FIELD pin, [2-4](#), [2-7](#), [2-12](#)
flag pins, *See* programmable flags (PFs)
flash A
 configuration registers, [1-11](#), [1-12](#)
 port A controls, [1-13](#)
 port B controls, [1-13](#)
 primary/secondary/SRAM, [1-11](#)
flash B
 configuration registers, [1-11](#), [1-13](#)
 primary/secondary/SRAM, [1-11](#)
FlashLINK connector (P7), [2-19](#)

flash memories
 See also flash A, flash B
 configuration registers, [1-7](#)
 EBIU connection, [2-3](#)
 general-purpose IO pins, [1-10](#), [1-12](#), [2-15](#),
 [2-20](#)
 internal SRAM, [1-7](#)
 primary/secondary, [1-7](#), [1-10](#), [2-3](#)
 programming/configuring, [1-14](#)
 reserved, [1-11](#)
flash ports (PB5-0), [2-15](#)
frequency, [1-9](#)

G

general-purpose IO pins, [1-10](#), [1-12](#), [1-15](#), [1-16](#)
GND signal, [2-8](#), [2-19](#)

H

Help, online, [xix](#)
HSYNC signal, [2-6](#), [2-7](#), [2-12](#)

I

installation, of this EZ-KIT Lite, [1-5](#)
interfaces, *See* video, SPORT, PPI, SPI,
 expansion
internal memory
 core MMRs, [1-8](#)
 data banks A, B (SRAM), [1-8](#)
 instruction SRAM, [1-8](#)
 instruction SRAM/CACHE, [1-8](#)
 reserved, [1-8](#)
 scratch pad SRAM, [1-8](#)
 system MMRs, [1-8](#)
 via JTAG, [2-9](#)
IO
 port registers, [1-12](#)
 voltage, [2-2](#)

J

JTAG

- cable, 1-14
- connector (ZP4), 2-21
- emulation port, 2-9

jumpers

- diagram of locations, 2-10
- default settings, 1-3

L

LEDs

- diagram of locations, 1-3, 2-13
- LED1 (power), 1-4, 2-15
- LED2 (reset), 1-4, 2-15
- LED4-9 (general-purpose IO), 1-14, 1-15, 2-15
- ZLED3 (USB monitor), 1-5, 2-16

license restrictions, 1-7

M

Media Instruction Set Computing (MISC), ix
memory

- map, of this EZ-KIT Lite, 1-7, 1-11
- select pins, *See* -AMS2-0, -SMS0

MSB pin, 2-5, 2-6

N

notation conventions, xxi

O

oscillators, 1-13

P

- package contents, 1-2
- parallel peripheral interface (PPI), 1-13, 1-16, 1-17, 2-5, 2-7, 2-11

power

- connector (J9), 2-18
- specifications, 2-19

PPI7-0 pins, 2-6

PPI_CLK pin, 1-13, 2-6

PPI_FSYNC signal, 2-6

PPI_HSYNC signal, 2-6

primary memory, *See* flash memories, flash A,
flash B

programmable flags (PFs)

- connections, 2-4
- PF0 (serial clock), 1-17, 2-4
- PF12-15 (PPI7-4 and video MSB signal), 2-5, 2-6
- PF1 (serial data), 1-17, 2-4
- PF2 (ADV7183 OE signal), 1-17, 2-4, 2-11
- PF3 (ADV7183 FIELD pin), 2-4, 2-6, 2-12
- PF4 (AD1836 SPI select), 1-16, 2-4, 2-5
- PF5-7 (PPI14-12), 2-5
- PF8-11 (PPI11-8 and SW4-7), 1-15, 2-5, 2-12, 2-14

push buttons

- See also* switches by name (SWx)
- diagram of locations, 2-13

R

RCA jacks, x, 2-18

registration, of this product, 1-3

reset

- AD1836 codec, 1-13
- ADV7171/ADV7183 decoder/encoder, 1-13
- LED (LED2), 2-15
- processor, 1-9, 1-10, 1-12
- push button (SW8), 2-14

restrictions, of the licence, 1-7

RFS0 pin, 1-15, 2-12

RS-232 connector (P2), xi, 2-8, 2-20

RSCLK0 pin/register, 1-15, 2-12

INDEX

S

schematic, of this EZ-KIT Lite, [B-1](#)
SCLK pin, [1-9](#)
SDRAM
 connection, [2-3](#)
 interface, [1-8, 1-9](#)
 optimum settings, [1-9](#)
secondary memory, *See* flash memories, flash A,
 flash B
serial
 clock (SCL), [1-17](#)
 data (SDAT), [1-17](#)
serial peripheral interface (SPI)
 connector (P6), [2-4, 2-13, 2-21](#)
 other connections, [2-8](#)
 port, [1-16](#)
setup, of this EZ-KIT Lite, [1-3](#)
-SMS0 memory select pin, [1-7, 2-3](#)
SPIS1/SPISS select switch (SW10), [2-13](#)
SPORT audio interface, [1-15](#)
SPORT0
 frame sync/clock signals, [2-12](#)
 interface, [2-3, 2-8](#)
 switch (SW12), [2-13](#)
SPORT1
 connector (P3), [2-20](#)
 interface, [2-4, 2-8](#)
SRAM (internal flash memory), [1-7, 2-3](#)
startup, of this EZ-KIT Lite, [1-5](#)
SW10 (SPIS1/SPISS select) switch, [2-13](#)
SW11 (boot mode) switch, [2-11](#)
SW12 (SPORT0) switch, [2-13](#)
SW1-2 (test) DIP switches, [2-11](#)
SW3 (video config) DIP switch, [1-16, 2-7, 2-11](#)
SW4-7 (general input) push buttons, [1-15, 2-5,](#)
 [2-12, 2-14](#)

SW8 (reset) push button, [2-14](#)
SW9 (push button enable) DIP switch, [1-16,](#)
 [2-12, 2-13](#)
switches
 See also switches by name (SWx)
 diagram of locations, [2-10](#)
synchronous dynamic random access memory,
 See SDRAM
system
 architecture, [2-2](#)
 clock register (SCLK), [1-9](#)

T

Target Options dialog box, [1-9](#)
test DIP switches (SW1-2), [2-11](#)
TFS0 pin, [1-15, 2-12](#)
time-division multiplexed (TDM) mode, [1-15](#)
TMR0 pin, [2-8](#)
TMR2-1 pins, [2-6, 2-8, 2-12](#)
TSCLK0 pin/register, [1-15, 2-12](#)
two-wire interface (TWI) mode, [1-15](#)

U

UART
 loop jumper (JP4), [2-10](#)
 port, [xi, 2-8](#)
universal asynchronous receiver transmitter, *See*
 UART
USB
 cable, [1-3, 1-4](#)
 interface chip (U34), [2-14](#)
 monitor LED (ZLED3), [2-16](#)
user LEDs (LED4-9), [1-14, 1-15, 2-15](#)

V

video

- configuration switch (SW3), [2-11](#)
- connector (J8), [2-18](#)
- control signals, [2-8](#)
- decoders, *See* [ADV7171](#)
- encoders, *See* [ADV7183](#)
- input mode, [2-7](#)
- interface, [1-16](#)
- output mode, [2-7](#)

VisualDSP++

- documentation, [xviii](#), [xix](#)
- environment, [1-5](#)
- online Help, [xvii](#), [xix](#)
- voltage regulators, [1-9](#)
- VSYNC signal, [2-6](#), [2-7](#), [2-12](#)

X

- XML register reset values, [1-9](#)